

CARDIO CONTROL

OWNER'S MANUAL	P. 2-7
BETRIEBSANLEITUNG	S. 8-14
MODE D'EMPLOI	P. 15-21
HANDLEIDING	P. 22-28
MANUALE D'USO	P. 29-35
MANUAL DEL USUARIO	P. 36-42
BRUKSANVISNING	S. 43-48
KÄYTTÖOHJE	S. 49-54



SERIAL NUMBER
SERIENNUMMER
NUMERO DE SERIE
SERIENNUMMER
NUMERO DI SERIE
NÚMERO DE SERIE
SERIENNUMMER
SARJANUMERO

BREMSHEY[®]
SPORT[®]

CONTENTS

ASSEMBLY.....	3, 56
ADJUSTMENTS.....	3
EXERCISING.....	4
CONSOLE.....	5
TRANSPORT AND STORAGE.....	7
MAINTENANCE.....	7
MALFUNCTIONS.....	7
TECHNICAL SPECIFICATIONS.....	7

IMPORTANT SAFETY INSTRUCTIONS

Read this guide carefully before assembling, using or servicing your fitness equipment. Please keep the guide somewhere safe; it will provide you now and in the future with the information you need to use and maintain your equipment. Always follow these instructions with care. Please note that the warranty does not cover damage due to transportation or not following of adjustment or maintenance instructions described in this manual.

NOTE ABOUT YOUR HEALTH

- Before you start any training, consult a physician to check your health condition.
- If you experience nausea, dizziness or other abnormal symptoms while exercising, stop your workout immediately and consult a physician.
- To avoid muscular pain and strain, begin each workout by warming up and end it by cooling down (slow pedalling at low resistance). Don't forget to stretch at the end of the workout.

NOTE ABOUT THE EXERCISE ENVIRONMENT

- The equipment is not to be used outdoors.
- Place the equipment on a firm, level surface. Place the equipment on a protective base to avoid any damages to the floor beneath the equipment.
- Make sure that the exercise environment has adequate ventilation. To avoid catching cold, do not exercise in a draughty place.

- In training, the equipment tolerates an environment measuring +10°C to +35°C. The equipment can be stored in temperatures ranging between -15°C and +40°C. Air humidity in the training or storage environment must never exceed 90 %.

NOTE ABOUT USING THE EQUIPMENT

- If children are allowed to use the equipment, they should be supervised and taught how to use the equipment properly, keeping in mind the child's physical and mental development and their personality. Also make sure that pet animals keep a safe distance to the product when it is transporting or used for training.
- Before you start using the equipment, make sure that it functions correctly in every way. Do not use a defective piece of equipment.
- Press the keys with the tip of the finger; your nails may damage the key membrane.
- Never lean on the meter.
- Never remove the side covers. Do not step on the frame casing.
- Only one person may use the equipment at a time.
- Wear appropriate clothing and shoes when exercising.
- Protect the meter from sunlight and always dry the surface of the meter if there are drops of sweat on it.
- The equipment must not be used by persons weighing over 135 kg/298 lbs.
- The equipment has been designed for home use. The Bremshey Sport warranty applies only to defects and malfunctions in home use (24 months). Further information on warranty terms can be obtained from your national Bremshey Sport distributor. Please note that the warranty terms may vary from one country to another.
- Do not attempt any servicing or adjustments other than those described in this guide. Everything else must be left to someone familiar with the maintenance of electromechanical equipments and authorised under the laws of the country in question to carry out maintenance and repair work.

NOTE ABOUT SAFETY FOR UNITS WITH ELECTRICAL POWER

Before connecting the equipment to a power source, make sure that the local voltage matches that indicated on the type plate: the equipment operates at either 230 V or 115 V (North American version). **NOTE!** The equipment must be connected to a grounded wall socket. Do not use extension wires when connecting the equipment to the power source. Always switch off the power and unplug the equipment from the electrical outlet immediately after using!

To reduce the risk of burns, fire, electric shock or injury to persons:

- The equipment should never be left unattended when plugged in. Unplug the equipment from the outlet when not in use, before carrying out any maintenance or repair procedures, and before moving the unit.
- Do not operate the equipment under a blanket or other combustible material. Excessive heating can occur and cause fire, electric shock or injury to persons.
- Do not connect the equipment to a power source, or operate the equipment if there is any sort of damage to the power cord or the unit itself.
- Do not connect the equipment to a power source or operate the equipment outdoors or in damp locations.
- Keep the power cord away from hot objects.
- Do not route the power cord beneath a carpet or place any objects on the cord. Also make sure that the power cord does not run underneath the equipment.
- Do not alter (for example lengthen) the cord between the transformer and the unit.

NOTE ABOUT ASSEMBLING THE EQUIPMENT

Start by unpacking the equipment. The detailed assembly instructions can be found at the back of this guide. Follow the instructions in given order.

Before assembly, check the contents of the package. If a part is missing, please contact your dealer with the model, equipment serial no. and spare part no. of the missing part. You'll find a spare part list at the back of this guide. The hardware kit contents are marked with * in the spare parts list. The directions left, right, front and back are defined as seen from the exercising position. Keep the assembly tools, as you may need them e.g. for adjusting the equipment. Note that two people are needed for the assembly.

The packaging includes a silicate bag for absorbing moisture during storage and transportation. Please dispose of the bag once you have unpacked the equipment. Allow at least 100 cm of clearance around the equipment. We also recommend opening the package and assembling the product on a protective base.

SAVE THIS INSTRUCTION MANUAL

ADJUSTMENTS

SEAT ADJUSTMENT

Set the right height for you; the basic rule is that the arch of the foot reaches reaches the pedal at its lowest point with the leg almost straight. Adjust the seat height by loosening the seat locking knob. Hold on to the seat with one hand and, using your other hand, pull the locking knob outwards in order to enable free seat tube movement upwards and downwards. Once the height is right, let go of the knob and the seat locks into place. Turn the locking knob clockwise to tighten.

NOTE! Always make sure that the locking knob is properly fastened before starting to exercise!

To adjust horizontal seat position forward and back, loosen the locking knob under the seat by turning it clockwise. Adjust the seat to the desired position and tighten the locking knob by turning it counter-clockwise.

NOTE! Always make sure that the locking knob is properly fastened before starting to exercise!

HANDLEBAR SETUP

Loosen the locking knob on the front of the handlebar support and find the right angle at which to position the handlebar. Tighten the locking knob. The design of the handlebar allows you to exercise either in an upright position or with the upper body leaning forward. Remember, however, always to keep your back straight.

NOTE! Always make sure that the locking knob is properly fastened before starting to exercise!

CONSOLE INCLINATION ADJUSTMENT

Set the inclination of the meter so that it corresponds to your height and exercise position.

ADJUSTMENT OF SUPPORT FEET

If the equipment is not stable, adjust the adjustment screws below the support feet as necessary.

EXERCISING

If the product is not stable, adjust the stabilizing screws under the rear support appropriately.

EXERCISE LEVEL

Working out with this device is excellent aerobic exercise, the principle being that the exercise should be suitably light, but of long duration. Aerobic exercise is based on improving the body's maximum oxygen uptake, which in turn improves endurance and fitness. The ability of the body to burn fat as a fuel is directly dependent on its oxygen-uptake capacity. Aerobic exercise should be above all pleasant. You should work up a light sweat but you should not get out of breath during the workout.

You should exercise at least three times a week, 30 minutes at a time, to reach a basic fitness level. Maintaining this level requires a few exercise sessions each week. Once the basic condition has been reached, it is easily improved, simply by increasing the number of exercise sessions. You should start slowly at a low pedaling speed and low resistance, because for an overweight person strenuous exercise may subject the heart and circulatory system to excessive strain. As fitness improves,

resistance and pedaling speed can be increased gradually.

HEART RATE

No matter what your goal, you'll get the best results by training at the right level of effort, and the best measure is your own heart rate.

HEART RATE MEASUREMENT WITH HANDGRIP SENSORS

Heart rate is measured from the hands using the sensors located on the handlebars. The sensors measure electric impulses, which are formed when a person's heart beats. Measurement is started by touching both handlebar sensors simultaneously. To ensure reliable heart rate measurement, skin must be slightly moist and skin contact with sensors must be continuous. If skin is too dry or too wet, the heart rate measurement operation from the hands is less reliable. Try to keep your upper body and palms relaxed and still.

TELEMETRIC HEART RATE MEASUREMENT

The most reliable heart rate measurement is achieved with a telemetric device, in which the electrodes of the transmitter fastened to the chest transmit the pulses from the heart to the console by means of an electromagnetic field.

NOTE! If you are fitted with a pacemaker, please consult a physician before using a wireless heart rate monitor.

If you want to measure your heart rate this way during your workout, moisten the grooved electrodes on the transmitter belt with saliva or water. Fasten the transmitter just below the chest with the elastic belt, firmly enough so that the electrodes remain in contact with the skin while exercising, but not so tight that normal breathing is prevented. If you wear the transmitter and belt over a light shirt, moisten the shirt slightly at the points where the electrodes touch the shirt. The transmitter automatically transmits the heart rate reading to the console up to a distance of about 1 m.

If the electrode surfaces are not moist, the heart-rate reading will not appear on the display. If the electrodes are dry, they must be moistened again. Allow the electrodes warm up properly to ensure accurate heart rate measurement. If there are several telemetric heart rate measurement devices next to each other, the distance between them should be at least 1.5 m. Similarly, if there is only one receiver and several transmitters in use, only

one person with a transmitter should be within transmission range. The transmitter is switched to an active state only when it is being used for measurement. Sweat and other moisture can, however, keep the transmitter in an active state and waste battery energy. Therefore it is important to dry the electrodes carefully after use.

When selecting training attire, please note that some fibres used in clothes (e.g. polyester, polyamide) create static electricity, which may prevent reliable heart rate measurement. Please note that a mobile phone, television and other electrical appliances form an electromagnetic field around them, which will cause problems in heart rate measurement.

First find your maximum heart rate i.e. where the rate doesn't increase with added effort. If you don't know your maximum heart rate, please use the following formula as a guide:

$$220 - \text{AGE}$$

These are average values and the maximum varies from person to person. The maximum heart-rate diminishes on average by one point per year. If you belong to a risk group, ask a doctor to measure your maximum heart rate for you.

We have defined three different heart-rate zones to help you with targeted training.

BEGINNER: 50-60 % of maximum heart-rate

Also suitable for weight-watchers, convalescents and those who haven't exercised for a long time. Three sessions a week of at least a half-hour each is recommended. Regular exercise considerably improves beginners' respiratory and circulatory performance and you will quickly feel your improvement.

TRAINER: 60-70 % of maximum heart-rate

Perfect for improving and maintaining fitness. Even reasonable effort develops the heart and lungs effectively, training for a minimum of 30 minutes at least three times a week. To improve your condition still further, increase either frequency or effort, but not both at the same time!

ACTIVE TRAINER: 70-80 % of maximum heart-rate

Exercise at this level suits only the fittest and presupposes long-endurance workouts

CONSOLE

BUTTONS

1. SELECTION DIAL

The selection dial functions in two ways:

A) Rotating the dial (+ / -). By rotating the dial clockwise, you can scroll the menus to the right, and increase values or resistance. By rotating the dial counter-clockwise, you can scroll the menus to the left, and decrease values or resistance.

B) Pressing the dial (ENTER). By pressing the dial, you can accept the selection you made when rotating the dial.

2. START/STOP

Starts, pauses, and stops training. During training, pressing this button once activates the pause mode. Pressing the button again starts the program again.

3. RESET

Single push: return to the program menu. Long push: restarts the meter.

4. RECOVERY

Calculates your recovery heart rate index.

DISPLAY

Small window: Time (mm:ss), speed (km/h or ml/h), RPM (revolutions per min), distance (km or ml), energy consumption (kcal), heart rate (bpm) and power (W) are displayed.

Big window: Starts to automatically scan between the values of time – speed – RPM – distance – energy – heart rate – power every 6 seconds. Scanning can be stopped by pressing ENTER button. By pressing ENTER again you can change the big window to display information for the next value.

PROGRAMS

1. MANUAL PROGRAM

Set target time and/or distance and/or energy consumption and/or upper heart rate limit by using the SELECTION DIAL.

Start training by pressing START/STOP button.

If you have set target/targets, the target/targets start to count down. Adjust resistance with SELECTION DIAL.

2. PRESET PROGRAMS

Preset program profile is shown for two seconds while programs are browsed.

Select desired preset program by using the SELECTION DIAL.

Set time for training and/or target distance and/or energy and/or upper heart rate limit by SELECTION DIAL.

Start training by pressing START/STOP button.

If you have set target/targets, the target/targets start to count down. During training you can scale the load by SELECTION DIAL.

3. USER PROGRAM

The program profile used last time is displayed. You can either start training with your personal memorized training targets by pressing START/STOP or modify the program. The program profile bar (1/20) that can now be modified blinks. If you want to change, modify the blinking bar and confirm. Next bar will blink. After the last bar, the display switches back to the first bar. By pressing the ENTER button for 2 seconds you can finish the profile modifying. Now program is ready with your memorized personal training data (time, distance, energy targets and heart rate limit). Modify your targets if needed. Start training by pressing START/STOP button.

If you have set target/targets, the target/targets start to count down. During training you can scale the load by SELECTION DIAL.

4. HEART RATE CONTROL (H.R.C.)

Select your age and confirm. Select between four different training intensities (55%, 75%, 90% or TARGET.) By selecting TARGET you can insert target heart rate.

Start training by pressing START/STOP button. If you have set target/targets, the target/targets start to count down.

During the training the equipment will automatically adjust the resistance so that your heart rate target will be reached and maintained.

5. CONSTANT WATT

Set target power in watts and target time and/or distance and/or energy consumption and/or upper heart rate limit by SELECTION DIAL.

Start training by pressing START/STOP button.

If you have set target/targets, the target/targets start to count down. During training the equipment will adjust resistance dependently on your pedaling speed, so that target power

level is achieved and maintained. You can change the target power by SELECTION DIAL.

6. RECOVERY

Start the recovery calculation after training by pressing RECOVERY button. Recovery heart rate calculation can be started only if the heart rate measurement is activated and the heart rate value is shown on the display. The measurement takes 60 seconds. After 60 seconds, the display shows your recovery index F1-F6 (F1 = best result). To get back to main menu, press RECOVERY button once again.

SETTING USER DATA

Right after restarting the meter you can choose the user. Select the user and confirm. Personal exercise data (time, distance, energy, heart rate limit and age) will be memorized and recalled as defaults every time when the user is selected.

ADDITIONAL NOTES

1. For speed and distance you can choose either metric or English units by using the KM/ML switch located on the back cover of the meter. The power cord has to be unplugged and replugged to apply the change.
2. If you are not training and buttons are not pressed, the meter switches into the Sleep mode after about four minutes. Room temperature is displayed.
3. Training is paused for a maximum of 4 minutes by pressing the START/STOP button. Pressing the button again allows you to continue the paused training session using the previous training data.
4. Entering training targets (time, distance, energy, heart rate limit) is possible only in the STOP mode (not during training).
5. This equipment cannot be used for therapeutic purposes.
6. Energy consumption is calculated based on average values. The energy expenditure is displayed in kilocalories. To convert this into joules, use the formula: 1 Kcal = 4.187 KJ.
7. If you are training with heart rate measurement (either chest belt or handgrip heart rate) you can set maximum heart rate limit. When limit is exceeded while training meter will give alarm beeps.

8. Preset programs are divided into 20 steps. Duration of the one step depends on the time set for the whole training. If time is not set, duration of one step will be 100 m in distance.

9. Note that recovery index is in relation to the heart rate frequency in both the beginning and the end of the measurement.

10. In H.R.C program heart rate target ranges (55%, 75% and 90%) are calculated as percent from your age predicted maximum heart rate (calculation formula: maximum heart rate = 220 – age).

11. Automatic adjustment of the resistance during H.R.C program occurs upwards every 30 seconds and downwards every 15 seconds, if needed.

TRANSPORT AND STORAGE

Please follow these instructions when carrying and moving the equipment, because lifting it incorrectly may strain your back or risk other accidents:

Standing in front of the device, tilt the device slowly towards you, and push from the front and push along the floor on the wheels at the front support. We recommend that you use a protective base when transporting the equipment.

To prevent the equipment malfunctioning, store in a dry place with as little temperature variation as possible and protected from dust.

MAINTENANCE

The equipment requires very little maintenance. Check, however, from time-to-time that all screws and nuts are tight.

- After exercising, clean the equipment with a soft, absorbent cloth. Do not use solvents.
- Never remove the equipment's protective casing.

MALFUNCTIONS

NOTE! Despite continuous quality control, defects and malfunctions caused by individual components may occur in the equipment. In most cases it's unnecessary to take the whole

device in for repair, as it's usually sufficient to replace the defective part. Always give the model, serial number of your equipment and in case of malfunctions also conditions of use, nature of malfunction and any error code.

When you encounter unusual behavior from the device, contact your local Bremshey Sport dealer for service.

If you require spare parts, always give the model, serial number of your equipment and the spare part number for the part you need. The spare part list is at the back of this manual. Use only spare parts mentioned in the spare part list.

TECHNICAL SPECIFICATIONS

Length	99 cm
Width	55 cm
Height.....	134 cm
Weight.....	37 kg

The Cardio-Control meets the requirements of the EU's EMC Directives on electromagnetic compatibility (89/336/EEC). This product therefore carries the CE label.

The Cardio-Control meets EN precision and safety standards (EN-957).

Due to our continuous policy of product development, Bremshey Sport reserves the right to change specifications without notice.

NOTE! The instructions must be followed carefully in the assembly, use and maintenance of your equipment. The warranty does not cover damage due to negligence of the assembly, adjustment and maintenance instructions described herein. Changes or modifications not expressly approved by Bremshey Sport will void the user's authority to operate the equipment and any warranty!

We wish you many enjoyable trainings!

INHALT

MONTAGE.....	9, 56
EINSTELLUNGEN.....	9
BENUTZUNG.....	10
COCKPIT.....	11
TRANSPORT UND LAGERUNG.....	13
WARTUNG.....	14
BETRIEBSSTÖRUNGEN.....	14
TECHNISCHE DATEN.....	14

WICHTIGE SICHERHEITSHINWEISE

Dieses Handbuch ist ein wesentlicher Bestandteil Ihrer Trainingsausrüstung. Lesen Sie dieses Handbuch bitte sorgfältig durch, bevor Sie Ihr Trainingsgerät montieren, mit ihm trainieren oder es warten. Bitte bewahren Sie dieses Handbuch; es wird Sie jetzt und zukünftig darüber informieren, wie Sie Ihr Gerät benutzen und warten. Befolgen Sie diese Anweisungen immer sorgfältig. Für Schäden, die durch Missachtung der beschriebenen Einstellungs- und Wartungsanweisungen entstehen, besteht kein Garantie-Anspruch!

- Vor Beginn eines Trainingsprogrammes einen Arzt konsultieren.
- Bei Übelkeit, Schwindelgefühl oder anderen anomalen Symptomen sollte das Training sofort abgebrochen und unverzüglich ein Arzt aufgesucht werden.
- Aufgrund des natürlichen Spieltriebes und der Experimentierfreudigkeit der Kinder können Situationen und Verhaltensweisen entstehen, für die das Trainingsgerät weder gebaut noch abgesichert ist und die eine Verantwortung seitens des Herstellers ausschliessen. Wenn Sie dennoch Kinder an das Trainingsgerät lassen, müssen Sie deshalb deren geistige und körperliche Entwicklung und vor allem deren Temperament berücksichtigen, sie gegebenenfalls beaufsichtigen und sie vor allem auf die richtige Benutzung des Gerätes hinweisen.
- Vergewissern Sie sich, dass während des Trainings oder beim Bewegen des Geräts kein Haustier in der Nähe ist.
- Das Gerät sollte grundsätzlich nur von einer Person benutzt werden.
- Der Anwendungsbereich dieses Trainingsgerätes ist der Heimbereich.

- Das Gerät darf nur in Innenräumen benutzt werden.
- Das Gerät auf möglichst ebenen Untergrund stellen.
- Stützen Sie sich nie gegen das Cockpit ab!
- Bedienen Sie die Tasten mit der Fingerkuppe. Ein Fingernagel kann die Membrane der Tasten beschädigen.
- Das Gerät nie ohne die seitlichen Abdeckungen benutzen.
- Dieses Gerät ist nicht für den Einsatz in Feuchträumen (Sauna, Schwimmbad) vorgesehen.
- Beim Training muss die Umgebungstemperatur zwischen +10°C und +35°C liegen. Zur Aufbewahrung kann das Gerät bei Temperaturen zwischen -15°C und +40°C gelagert werden. Die Luftfeuchtigkeit darf nie 90 % überschreiten.
- Vor Beginn des Trainings sicherstellen, dass das Gerät völlig intakt ist. Auf keinen Fall mit einem fehlerhaften Gerät trainieren.
- Zur Benutzung des Gerätes stets angemessene Kleidung und Schuhwerk tragen.
- Nie die Hände in die Nähe von beweglichen Teilen bringen.
- Zur Vermeidung von Muskelkater Auf- und Abwärmtraining nicht vergessen.
- Keine anderen als die in dieser Betriebsanleitung beschriebenen Wartungsmassnahmen und Einstellungen vornehmen. Die angegebenen Wartungsanweisungen sind einzuhalten.
- Das Gerät darf nicht von Personen benutzt werden, deren Gewicht über 135 kg liegt.
- Ihr neuer Heimtrainer von Bremshey Sport wurde für das Heimtraining entwickelt. Die Garantie dieses Gerätes beträgt 24 Monate für das Heimtraining. Nähere Informationen zur Garantie bekommen Sie von Ihrem nationalen Bremshey Sport Vertreter. Bitte beachten Sie, dass die Bedingungen der Garantie je nach Verkaufsbereich variieren können. Sowohl Bremshey Sport Sport, als auch seine nationalen Vertretungen übernehmen keine Haftung für Verletzungen oder Geräteschäden, die sich bei Dauereinsatz in gewerblichen fitnesscentern, Sportvereinen und vergleichbaren Einrichtungen ergeben.

SICHERHEITSHINWEIS FÜR GERÄTE MIT ELEKTRISCHER STROMVERSORGUNG

Vergewissern Sie sich vor dem Anschließen des Geräts an das Stromnetz, dass die örtliche Netzspannung mit der Angabe auf dem Typschild übereinstimmt. Das Gerät arbeitet mit 230 oder 115 V (Ausführung für Nordamerika). **BITTE BEACHTEN:** Das Gerät muss an eine geerdete Wandsteckdose angeschlossen werden. Schließen Sie das Gerät nicht über Verlängerungskabel an das Stromnetz an. Trennen Sie das Gerät nach dem Training stets vom Netz.

So vermindern Sie die Gefahr von Verbrennungen, Bränden, Stromschlägen und Personenschäden:

- Das Gerät darf im angeschlossenen Zustand niemals unbeaufsichtigt gelassen werden. Ziehen Sie bei Nichtverwendung den Netzstecker des Geräts ab. Ziehen Sie den Netzstecker ebenfalls ab, bevor Sie das Gerät warten, reparieren oder transportieren.
- Betreiben Sie das Gerät nicht unter einer Decke oder anderen brennbaren Materialien. Andernfalls kann das Gerät zu heiß werden, und es besteht die Gefahr von Bränden, Stromschlägen und Personenschäden.
- Schließen Sie das Gerät nicht an das Stromnetz an und nehmen Sie es nicht in Betrieb, wenn Netzkabel oder Gerät in irgendeiner Weise beschädigt sind.
- Schließen Sie das Gerät nicht im Freien oder an einem feuchten Ort an das Stromnetz an und nehmen Sie es dort auch nicht in Betrieb.
- Achten Sie auf ausreichenden Abstand zwischen dem Netzkabel und heißen Gegenständen.
- Verlegen Sie das Netzkabel nicht unter dem Teppich, und stellen Sie keine Gegenstände auf das Kabel. Achten Sie außerdem darauf, dass das Gerät nicht auf dem Netzkabel steht.
- Nehmen Sie keine Veränderungen an dem Kabel zwischen Umspanner und Gerät vor (indem Sie es beispielsweise verlängern).

HINWEIS ZUM ZUSAMMENBAU DES GERÄTS

Packen Sie das Gerät zunächst aus. Eine detaillierte Montageanleitung finden Sie im hinteren Teil dieses Handbuchs. Folgen Sie der Anleitung in der vorgegebenen Reihenfolge.

Kontrollieren Sie vor dem Zusammenbau zunächst den Lieferumfang. Wenden Sie sich bei fehlenden Teilen an Ihren Händler, und nennen Sie ihm die Typenbezeichnung und Seriennummer des Geräts sowie die Ersatzteilnummer des fehlenden Teils. Eine Ersatzteilliste finden Sie im hinteren Teil dieses Handbuchs. Die Hardware-Komponenten sind in der Ersatzteilliste mit einem Sternchen (*) gekennzeichnet. Die Richtungsangaben links, rechts, vorn und hinten gehen von der Trainingsposition aus. Verwahren Sie die Montagewerkzeuge, um sie bei Bedarf zur Hand zu haben (zum Beispiel zum Verstellen des Geräts). Es sei darauf hingewiesen, dass für den Zusammenbau des Geräts eine zweite Person benötigt wird.

Die Verpackung enthält eine Tüte mit Silikat, das die Feuchtigkeit während der Lagerung und des Transports aufnimmt. Bitte entsorgen Sie diese Tüte, wenn Sie das Gerät ausgepackt haben. Sorgen Sie rund um das Gerät für einen Freiraum von mindestens 100 cm. Außerdem wird empfohlen, das Paket auf einer Schutzmatte zu öffnen und das Produkt dort zusammenzubauen.

EINSTELLUNGEN

EINSTELLEN DES SATTELS

Grundsätzlich gilt hier: Sie haben die richtige Sitzhöhe eingestellt, wenn Ihre Fußsohle das Pedal berührt und das Bein dabei durchgestreckt ist. Das Pedal befindet sich dann auf seinem tiefsten Punkt. Zum Einstellen der Sattelhöhe lösen Sie das Handrad des Sattelrohres. Fassen Sie den Sitz mit einer Hand, und ziehen Sie mit der freien Hand das Handrad nach außen, damit der Lenkerbügel frei nach oben und unten verstellt werden kann. Wenn die Sattelhöhe richtig ist, das Handrad loslassen. Das Sattelrohr rastet ein. Das Handrad im Uhrzeigersinn festdrehen.

BITTE BEACHTEN: vor dem Trainieren immer sicherstellen, dass das Handrad ordnungsgemäss festgedreht ist.

Um die horizontale Sitzposition nach vorn oder hinten zu verstellen, müssen Sie den unter dem Sitz befindlichen Knauf für die Arretierung lösen, indem Sie ihn im Uhrzeigersinn drehen. Verschieben Sie den Sitz in die gewünschte Position, und ziehen Sie den Knauf für die Arretierung fest, indem Sie ihn gegen den Uhrzeigersinn drehen.

BITTE BEACHTEN: vor dem Trainieren immer sicherstellen, dass das Handrad ordnungsgemäss festgedreht ist.

EINSTELLEN DES LENKERROHRES

Lösen Sie den Knauf für die Arretierung an der Vorderseite der Lenkerstütze, und stellen Sie den gewünschten Lenkerwinkel ein. Ziehen Sie den Knauf für die Arretierung fest. Der Lenker ist so konstruiert, dass Sie in aufrechter Haltung oder mit nach vorn gebeugtem Oberkörper trainieren können. Denken Sie jedoch stets daran, den Rücken gerade zu halten.

BITTE BEACHTEN: vor dem Trainieren immer sicherstellen, dass das Handrad ordnungsgemäss festgedreht ist.

EINSTELLEN DER COCKPITNEIGUNG

Verstellen Sie die Neigung des Anzeigeräts in Übereinstimmung mit Ihrer Körpergröße und Trainingsposition.

EINSTELLEN DER STÜTZFÜSSE

Wenn das Gerät keinen stabilen Stand aufweist, passen Sie die Einstellungsschrauben an der Unterseite der Stützfüsse entsprechend an.

BENUTZUNG

Sollte das Gerät nicht stabil sein, die Einstellschrauben unter dem hinteren Fussrohr entsprechend einstellen.

TRAINIEREN MIT BREMSHEY SPORT

Treten mit einem Ergometer ist eine ausgezeichnete aerobe Trainingsform, d.h. das Training ist zwar leicht, erfordert aber eine lange Trainingsdauer. Das aerobe Training basiert auf einer Verbesserung der max. Sauerstoffaufnahme-fähigkeit, was zu einer Steigerung von Kondition und Ausdauer führt. Die Fähigkeit des Körpers, Fett zu verbrennen, hängt direkt von der Fähigkeit des Körpers ab, Sauerstoff zu transportieren. Das aerobe Training ist eine angenehme Trainingsform. Man muss zwar ins Schwitzen, aber nicht ausser Atem kommen.

Das Training sollte aus mindestens drei 30-minütigen Einheiten pro Woche bestehen. So wird eine Grundkondition erreicht. Die Aufrechterhaltung der Kondition setzt zirka zwei Übungseinheiten pro Woche voraus. Ist die Grundkondition erreicht, kann diese leicht durch Erhöhen der Trainingsfrequenz verbessert werden. Eine zu grosse Anstrengung bei einem zu hohen Körpergewicht kann zu einer gefährlichen Belastung des Herzens und des Kreislaufs führen. Die Tretgeschwindigkeit kann der Kondition entsprechend langsam erhöht werden. Die Trainingseffizienz kann mit Hilfe der Herzfrequenz geschätzt werden.

HERZFREQUENZ

Egal, welches Ziel Sie erreichen wollen, die besten Resultate erzielen Sie mit einem Training auf dem richtigen Leistungsniveau, und das beste Mass ist dabei Ihre eigene Herzfrequenz.

HERZFREQUENZMESSUNG

MIT HANDGRIFFSENSOREN

Die Herzfrequenz wird an den Händen über die in den Handgriffen eingearbeiteten Sensoren gemessen. Die Sensoren messen elektrische Impulse, die erzeugt werden, wenn das menschliche Herz schlägt. Die Messung beginnt, wenn Sie beide Handgriffsensoren gleichzeitig berühren. Die Haut muss eine gewisse Feuchtigkeit aufweisen und ständig mit den Sensoren in Kontakt stehen, um eine zuverlässige Messung der Herzfrequenz zu gewährleisten. Bei zu trockener oder zu nasser Haut ist die Messung der Herzfrequenz über die Hände weniger zuverlässig. Versuchen Sie, Oberkörper und Handflächen entspannt und ruhig zu halten.

TELEMETRISCHE HERZFREQUENZMESSUNG

Als zuverlässigste Art der Herzfrequenzmessung hat sich die drahtlose Herzfrequenzabnahme erwiesen, bei der die Herzschläge mit einem Elektrodengurt von der Brust abgenommen werden. Vom Gurt werden die Impulse danach über ein elektromagnetisches Feld an den Empfänger in der Elektronikanzeige übertragen.

BITTE BEACHTEN! Falls Sie einen Herzschrittmacher tragen, lassen Sie sich von Ihrem Arzt bestätigen, dass Sie die drahtlose Herzfrequenzmessung benutzen können.

Zur drahtlosen Herzfrequenzmessung während des Trainings die gegen die Haut kommenden Elektroden am Elektrodengurt sorgfältig mit Wasser oder Speichel anfeuchten. Wird der Elektrodengurt über einem dünnen Hemd

getragen, sind die gegen die Elektroden gerichteten Flächen ebenfalls zu befeuchten. Den Sender mit Hilfe des Gurtes fest unterhalb der Brustmuskulatur befestigen und darauf achten, dass der Gurt beim Training nicht verrutscht. Den Elektrodengurt jedoch nicht so festziehen, dass z. B. die Atmung erschwert wird. Der Sender kann den Pulswert bis zu einer Entfernung von zirka 1 m an den Empfänger übertragen.

Bei trockenen Elektroden wird kein Herzfrequenzwert angezeigt. Ggf. Elektroden wieder anfeuchten. Für eine zuverlässige Herzfrequenzmessung müssen die Elektroden auf Körpertemperatur angewärmt sein. Sind mehrere drahtlose Herzfrequenzmessgeräte gleichzeitig eingesetzt, sollten sie mindestens 1,5 m voneinander entfernt sein. Werden nur ein Herzfrequenzempfänger, aber mehrere Sender eingesetzt, darf sich nur eine Person, die einen Herzfrequenzsender trägt, während der Herzfrequenzmessung innerhalb der Reichweite des Senders befinden. Der Sender schaltet sich aus, wenn der Elektrodengurt abgenommen wird. Er kann jedoch durch Feuchtigkeit neu aktiviert werden, was die Lebensdauer der Batterie verkürzt. Deswegen ist es wichtig, den Sender nach dem Training sorgfältig zu trocknen.

Achten Sie bei Ihrer Trainingskleidung darauf, dass bestimmte für Kleidungsstücke verwendete Fasern (z.B. Polyester, Polyamid) statische elektrische Ladungen verursachen, die ein Hindernis für eine zuverlässige Herzfrequenzmessung sein können. Beachten Sie auch, dass durch Handys, Fernsehgeräte und andere elektrische Geräte elektromagnetische Felder entstehen, die Probleme bei der Herzfrequenzmessung verursachen können.

Ermitteln Sie zuerst Ihre maximale Herzfrequenz. Wenn Sie diese nicht kennen, orientieren Sie sich bitte an der nachfolgenden Formel:

$$220 - \text{ALTER}$$

Das Maximum unterscheidet sich von Mensch zu Mensch. Die maximale Herzfrequenz verringert sich pro Jahr durchschnittlich um einen Punkt. Wenn Sie zu einer der bereits genannten Risikogruppen zählen, bitten Sie den Arzt, Ihre maximale Herzfrequenz festzustellen.

Wir haben drei Herzfrequenzbereiche definiert, die Sie bei Ihrem zielgerichteten Training unterstützen.

ANFÄNGER: 50-60 % der maximalen Herzfrequenz

Sie ist ausserdem für Übergewichtige und Rekonvaleszenten geeignet sowie für diejenigen, die seit langem nicht mehr trainiert haben. Drei Trainingseinheiten pro Woche von jeweils einer halben Stunde Dauer sind angemessen. Regelmässiges Training verbessert die Leistungsfähigkeit der Atmungs- und Kreislauforgane ganz entscheidend.

FORTGESCHRITTENE: 60-70 % der maximalen Herzfrequenz

Perfekt geeignet zur Verbesserung und Erhaltung der Fitness. Damit stärken Sie Ihr Herz und Ihre Lungen mehr, als auf dem Anfängerniveau. Wir empfehlen mindestens 3 Trainingseinheiten pro Woche mit jeweils mindestens 30 Minuten. Wenn Sie Ihr Fitnessniveau noch weiter erhöhen möchten, trainieren Sie häufiger oder intensiver, aber nicht beides zugleich.

AKTIVE SPORTLER: 70-80 % der maximalen Herzfrequenz

Das Training auf diesem Niveau ist nur für durchtrainierte Sportler geeignet und setzt ein Langzeit- Ausdauertraining voraus.

COCKPIT

TASTEN

1. DREHSCHALTER

Der Drehschalter funktioniert auf zweierlei Weise:

A) Drehschalter drehen (+ / -). Wenn Sie den Drehschalter im Uhrzeigersinn drehen, können Sie die Menüs nach rechts durchblättern und Einstellwerte oder den Widerstand erhöhen. Wenn Sie den Drehschalter gegen den Uhrzeigersinn drehen, können Sie die Menüs nach links durchblättern und Einstellwerte oder den Widerstand verringern.

B) Drehschalter drücken (ENTER). Indem Sie auf den Drehschalter drücken, bestätigen Sie die Auswahl, die Sie durch Drehen des Drehschalters vorgenommen haben.

2. START/STOP

Zum Starten, Anhalten und Beenden des Trainings. Durch das Drücken dieser Taste während des Trainings wird der Pausenmodus aktiviert. Durch erneutes Drücken der Taste wird das Programm fortgesetzt.

3. RESET

Kurz drücken: Rückkehr zum Programmmenü.
Gedrückt halten: Neustart des Instruments.

4. RECOVERY

Berechnet den Index Ihrer
Erholungsherzfrequenz.

DISPLAY

Kleines Fenster: Zeit (mm:ss), Geschwindigkeit (km/h oder ml/h), Drehzahl (Umdrehungen pro Minute), Wegstrecke (km oder ml), Energieverbrauch (kcal), Herzfrequenz (bpm) und Leistung (W) werden angezeigt.

Großes Fenster: Wechselt automatisch alle sechs Sekunden zwischen Zeit, Geschwindigkeit, Drehzahl, Wegstrecke, Energie, Herzfrequenz und Leistung. Der Anzeigewechsel kann durch Drücken der Taste ENTER angehalten werden. Durch erneutes Drücken der Taste ENTER können Sie den nächsten Wert im großen Fenster aufrufen.

PROGRAMME**1. PROGRAMM MANUAL**

Bestimmen Sie den Zeitzielwert und/oder die Wegstrecke und/oder den Energieverbrauch und/oder den oberen Herzfrequenz-Grenzwert mit Hilfe des DREHSCHALTERS.

Starten Sie das Training, indem Sie die Taste START/STOP drücken.

Wenn Sie einen oder mehrere Zielwerte festgelegt haben, beginnt die Rückwärtszählung. Justieren Sie den Widerstand mit Hilfe des DREHSCHALTERS.

2. VORWAHLPROGRAMME

Das jeweilige Vorwahlprogrammprofil wird beim Durchblättern der Programme zwei Sekunden lang angezeigt. Wählen Sie das gewünschte Vorwahlprogramm mit Hilfe des DREHSCHALTERS.

Bestimmen Sie die Trainingsdauer und/oder den Wegstrecken-Zielwert und/oder den Energieverbrauch und/oder den oberen Herzfrequenz-Grenzwert mit Hilfe des DREHSCHALTERS.

Starten Sie das Training, indem Sie die Taste START/STOP drücken.

Wenn Sie einen oder mehrere Zielwerte festgelegt haben, beginnt die Rückwärtszählung. Während des Trainings können Sie den Belastungswert mit Hilfe des DREHSCHALTERS verändern.

3. PROGRAMM USER

Das zuletzt genutzte Programmprofil wird angezeigt. Sie können das Training mit den für Sie gespeicherten Zielwerten starten, indem Sie die Taste START/STOP drücken. Alternativ dazu können Sie das Programm modifizieren. Der Balken (1/20) des modifizierbaren Programmprofils beginnt zu blinken. Verändern Sie gegebenenfalls die Höhe des blinkenden Balkens, und bestätigen Sie die Veränderung. Daraufhin beginnt der nächste Balken zu blinken. Nach dem letzten Balken wechselt die Anzeige wieder zum ersten Balken. Halten Sie die Taste ENTER zwei Sekunden lang gedrückt, um die Modifizierung des Profils zu beenden. Das Programm ist nun bereit und beinhaltet die für Sie gespeicherten Trainingsdaten (Zeit-, Wegstrecken- und Energiezielwerte sowie Herzfrequenz-Grenzwert). Ändern Sie Ihre Zielwerte bei Bedarf. Starten Sie das Training, indem Sie die Taste START/STOP drücken.

Wenn Sie einen oder mehrere Zielwerte festgelegt haben, beginnt die Rückwärtszählung. Während des Trainings können Sie den Belastungswert mit Hilfe des DREHSCHALTERS verändern.

4. HEART RATE CONTROL

Geben Sie Ihr Alter ein, und bestätigen Sie die Eingabe. Sie haben die Auswahl zwischen vier verschiedenen Trainingsintensitäten (55%, 75%, 90% oder TARGET). Über TARGET können Sie einen Herzfrequenz-Zielwert eingeben.

Starten Sie das Training, indem Sie die Taste START/STOP drücken. Wenn Sie einen oder mehrere Zielwerte festgelegt haben, beginnt die Rückwärtszählung.

Während des Trainings passt das Gerät den Widerstand laufend so an, dass Ihr Herzfrequenz-Zielwert erreicht und gehalten wird.

5. KONSTANT WATT

Bestimmen Sie den Leistungszielwert in Watt sowie die Trainingsdauer und/oder den Wegstrecken-Zielwert und/oder den Energieverbrauch und/oder den oberen Herzfrequenz-Grenzwert mit Hilfe des DREHSCHALTERS.

Starten Sie das Training, indem Sie die Taste START/STOP drücken.

Wenn Sie einen oder mehrere Zielwerte festgelegt haben, beginnt die Rückwärtszählung. Während des Trainings passt das Gerät den Widerstand laufend so an Ihre Tretgeschwindigkeit an, dass der

Leistungszielwert erreicht und gehalten wird. Sie können den Leistungszielwert mit Hilfe des DREHSCHALTERS verändern.

6. RECOVERY

Starten Sie die Berechnung der Erholungsherzfrequenz nach dem Training, indem Sie die Taste RECOVERY drücken. Die Berechnung der Erholungsherzfrequenz kann nur gestartet werden, wenn die Herzfrequenzmessung aktiviert wurde und die Herzfrequenz auf dem Display angezeigt wird. Die Messung dauert 60 Sekunden. Nach 60 Sekunden zeigt das Display Ihren Erholungsindex an. Die Angabe reicht von F1 bis F6, wobei F1 das beste Ergebnis ist. Um wieder in das Hauptmenü zu gelangen, drücken Sie die Taste RECOVERY erneut.

BENUTZERDATEN EINGEBEN

Sie können den Benutzer unmittelbar nach dem Neustarten des Instruments auswählen. Wählen Sie den Benutzer aus, und bestätigen Sie die Auswahl. Individuelle Trainingsdaten (Zeit, Wegstrecke, Energie, Herzfrequenz-Grenzwert und Alter) werden gespeichert und jedes Mal als Standardwerte geladen, wenn der jeweilige Benutzer ausgewählt wird.

ZUSÄTZLICHE HINWEISE

1. Geschwindigkeit und Wegstrecke können in metrischen oder britischen Maßeinheiten angezeigt werden. Das Umschalten erfolgt über den Schalter KM/ML an der rückwärtigen Instrumentenverkleidung. Um die Änderung wirksam zu machen, muss der Netzstecker abgezogen und wieder eingesteckt werden.
2. Wenn Sie nicht trainieren und keine Tasten gedrückt werden, wechselt das Instrument nach etwa vier Minuten in den Ruhemodus. Die Raumtemperatur wird angezeigt.
3. Durch Drücken der Taste START/STOP wird das Training höchstens vier Minuten lang angehalten. Durch erneutes Drücken der Taste kann die angehaltene Trainingssitzung unter Verwendung der vorherigen Trainingsdaten fortgesetzt werden.
4. Die Eingabe von Trainingszielwerten (Zeit, Wegstrecke, Energie, Herzfrequenz-Grenzwert) ist nur im STOP-Modus und nicht während des Trainings möglich.
5. Dieses Gerät eignet sich nicht für therapeutische Zwecke.

6. Die Berechnung des Energieverbrauchs basiert auf Durchschnittswerten. Der Energieverbrauch wird in Kilokalorien angezeigt. Nutzen Sie zur Umrechnung in Joules die folgende Gleichung: $1 \text{ Kcal} = 4,187 \text{ KJ}$.

7. Beim Trainieren mit Herzfrequenzmessung (über Brustgurt oder Handgriffe) können Sie einen oberen Herzfrequenz-Grenzwert festlegen. Wird der Grenzwert beim Trainieren überschritten, ertönt ein akustisches Alarmsignal.

8. Vorwahlprogramme sind in 20 Phasen unterteilt. Die Dauer der einzelnen Phasen hängt von der für das Training eingestellten Gesamtdauer ab. Falls kein Zeitwert festgelegt wurde, entspricht die Dauer der einzelnen Phasen einer Wegstrecke von 100 m.

9. Wenn Sie mehrere Sollwerte zum Herunterzählen festgelegt haben, ertönt ein Signalton und das Training wird automatisch beendet, sobald einer der Zielwerte bei Null ankommt. Sie können das Training neu starten, indem Sie START/STOP drücken.

10. Beachten Sie, dass sich der Erholungsindex auf die Herzfrequenz zu Beginn und Ende der Messung bezieht.

11. Im HRC-Programm werden die Herzfrequenzbereiche (55%, 75% und 90%) als Prozentsatz der für Ihre Altersgruppe prognostizierten maximalen Herzfrequenz berechnet (Formel: maximale Herzfrequenz = $220 - \text{Alter}$).

12. Die automatische Anpassung des Widerstands im HRC-Programm erfolgt alle 30 Sekunden (aufwärts) bzw. alle 15 Sekunden (abwärts), sofern sie erforderlich ist.

TRANSPORT UND LAGERUNG

Bitte befolgen Sie diese Hinweise, wenn Sie das Gerät tragen oder bewegen, denn falsches Anheben kann zu Rückenverletzungen oder anderen Unfällen führen:

Dank eingebauter Transportrollen ist das Gerät leicht zu bewegen. Dazu um das Gerät herumgehen, an der Handstützen festhalten, leicht ankippen und auf den Transportrollen

im vorderen Fussrohr fortbewegen. Ein Verschieben des Gerätes kann manche Fussbodenmaterialien beschädigen, z.B. Holzparkettböden. In diesem Fall müssen Sie den Boden vorher schützen.

Lagern Sie das Gerät an einem trockenen, staubfreien Ort mit möglichst geringen Temperaturschwankungen.

WARTUNG

Das Gerät braucht nur sehr wenig Wartung. Prüfen Sie dennoch von Zeit zu Zeit, dass alle Schrauben und Muttern fest sitzen.

- Bitte trocknen Sie nach jedem Training alle Teile des Gerätes mit einem weichen, saugfähigen Tuch. Verwenden Sie keine Lösungsmittel.
- Entfernen Sie niemals die Schutzverkleidung des Gerätes.

BETRIEBSSTÖRUNGEN

BITTE BEACHTEN: Trotz kontinuierlicher Qualitätsüberwachung können vereinzelt an den Geräten durch einzelne Komponenten verursachte Funktionsstörungen auftreten. Dabei ist es nicht angebracht, das ganze Gerät zur Reparatur zu bringen, da der Fehler meistens durch Austauschen der defekten Komponente behoben werden kann.

Falls Sie Funktionsstörungen an Ihrem Gerät feststellen, Kontakt mit Ihrer nationalen Bremshey Sport-Vertretung aufnehmen.

Wenden Sie sich an Ihre nationale Bremshey Sport-Vertretung, wenn Sie Ersatzteile benötigen oder Funktionsstörungen an Ihrem Gerät feststellen. Beschreiben Sie das Problem und die Einsatzbedingungen und teilen Sie das Kaufdatum und die Seriennummer des Gerätes mit. Die Ersatzteilnummern finden Sie in der Liste am Ende dieser Anweisung. Nur Teile in der Ersatzteilliste dürfen verwendet werden.

TECHNISCHE DATEN

Länge99 cm
Breite55 cm
Höhe134 cm
Gewicht37 kg

Der Cardio-Control wurde nach den Richtlinien der EU für elektromagnetische Einheitlichkeit, EMC (89/336/EWG) gestaltet und trägt das CE Konformitäts-Zeichen.

Der Cardio-Control erfüllt die EN-Präzisions- und Sicherheitsstandards (EN-957).

Aufgrund unserer kontinuierlichen Produktentwicklung behält sich Bremshey Sport das Recht vor, Spezifikationen ohne vorherige Ankündigung zu verändern.

BITTE BEACHTEN: Die Hinweise bezüglich der Montage, der Benutzung und der Wartung Ihres Gerätes müssen sorgfältig beachtet werden. Die Garantie schliesst keine Beschädigungen ein, die auf Fahrlässigkeit bei der Montage, Einstellung und Wartung, wie sie in diesem Handbuch beschrieben wurden, zurückzuführen sind. Werden Modifizierungen ohne das Einverständnis der Bremshey Sport vorgenommen, erlischt jeglicher Garantieanspruch!

Wir wünschen Ihnen viele angenehme Trainingsstunden mit Ihrem neuen Bremshey Sport Trainingspartner.

TABLE DES MATIERES

ASSEMBLAGE.....	16, 56
REGLAGES.....	17
UTILISATION.....	17
UNITE DES COMPTEURS	19
TRANSPORT ET RANGEMENT	21
MAINTENANCE	21
DEFAUTS DE FONCTIONNEMENT.....	21
CARACTERISTIQUES TECHNIQUES	21

CONSEILS ET AVERTISSEMENTS

Lisez attentivement ce mode d'emploi avant d'assembler, d'utiliser ou d'effectuer l'entretien de votre appareil sportif. Veuillez conserver ce guide, il contient les renseignements dont vous aurez besoin, maintenant et plus tard, pour utiliser et entretenir votre appareil. Suivez toujours les instructions très rigoureusement. Veuillez noter que la garantie ne couvre pas les dommages causés par un manque de précaution quant aux instructions de montage et d'entretien décrites dans ce mode d'emploi.

AVERTISSEMENTS LIES A VOTRE SANTE

- Consultez votre médecin avant de commencer vos exercices.
- Si vous êtes pris de nausées ou de vertiges ou sentez d'autres symptômes anormaux pendant l'entraînement, interrompez immédiatement la session et consultez votre médecin.
- Afin d'éviter toutes douleurs musculaires, commencez et terminez vos sessions par des mouvements d'échauffement (pédalage lent avec une résistance faible). N'oubliez pas non plus d'effectuer des mouvements d'étirement pour terminer votre session.

AVERTISSEMENTS LIES A VOTRE MILIEU D'ENTRAINEMENT

- L'appareil ne doit pas être utilisé à l'extérieur.

- Placez l'appareil sur une surface aussi plane que possible. Placez une protection sous l'appareil.
- Assurez-vous d'une ventilation suffisante, mais évitez toutefois les courants d'air.
- En entraînement, l'appareil supporte des températures de 10°C à 35°C. L'appareil peut aussi être rangée à une température comprise entre -15°C et +40°C. L'hygrométrie du local d'utilisation ou de rangement de l'appareil ne doit jamais excéder 90 %.

AVERTISSEMENTS LIES A L'UTILISATION DE L'APPAREIL

- Si vous décidez de laisser un enfant utiliser l'appareil, prenez toujours en considération l'état de son développement physique et mental ainsi que son caractère. Donnez à l'enfant les conseils nécessaires pour une bonne utilisation de l'appareil et ne le laissez jamais seul. Veillez également à ce qu'aucun animal de compagnie ne se trouve à proximité de l'appareil pendant le déplacement ou pendant l'utilisation.
- Commencez par vérifier que l'appareil est en parfait état de marche. N'utilisez jamais un appareil défectueux.
- Ne vous accoudez jamais à l'unité des compteurs!
- Appuyez sur les touches du bout des doigts: vos ongles risquent d'abîmer la membrane des touches.
- N'utilisez jamais l'appareil avec les protections latérales démontées.
- Ne montez jamais à deux ou à plusieurs sur l'appareil.
- Portez des vêtements et chaussures appropriés.
- Protégez l'unité des compteurs d'une exposition au soleil et séchez toujours la surface de l'unité des compteurs si des gouttes de sueur sont tombées dessus.
- N'effectuez jamais d'autres opérations de réglage et d'entretien que celles mentionnées dans ce guide et suivez bien les conseils d'entretien qui y sont donnés.

- L'appareil ne doit pas être utilisé par des personnes pesant plus de 135 kg.
- Cet appareil peut être utilisé à la maison. La garantie de la société Bremshey Sport ne couvre que les défauts ou imperfections s'étant manifestés pendant l'utilisation à la maison (24 mois). Pour information complémentaire sur la garantie de votre équipement de fitness, veuillez consulter votre distributeur national de Bremshey Sport. Attention ! Les conditions de la garantie peuvent varier selon les pays.
- N'essayez pas d'effectuer d'autres entretiens ou réglages que ceux décrits dans ce mode d'emploi. Les autres opérations doivent être laissées aux soins des personnes compétentes dans l'entretien des dispositifs électromagnétiques et autorisées, aux regards des lois du pays concerné (ou équivalent) à accomplir les travaux de maintenance et de réparations. Les instructions de maintenance de ce mode d'emploi doivent être suivies scrupuleusement.

AVERTISSEMENT LIÉ AUX APPAREILS FONCTIONNANT SUR COURANT ÉLECTRIQUE

Avant de brancher l'appareil sur une source d'alimentation, assurez-vous que la tension locale correspond à celle indiquée sur la plaque d'identification. Ce modèle fonctionne soit en 230 V soit en 115 V (modèles américains). ATTENTION ! L'appareil doit être branché sur une prise de terre. N'utilisez pas de rallonge. Il faut toujours couper l'alimentation et débrancher l'appareil immédiatement après utilisation.

Pour réduire le risque de brûlure, d'incendie, de choc électrique ou de blessures sur toute personne :

- L'appareil ne doit jamais être laissé sans surveillance quand il est branché. Débranchez-le lorsqu'il n'est pas utilisé, avant d'effectuer toute procédure de maintenance ou toute réparation et avant de le déplacer.

- Ne faites pas fonctionner l'appareil sous une couverture ou avec des matériaux combustibles. Une chaleur excessive est susceptible de se produire, pouvant entraîner un incendie, un choc électrique ou blesser quelqu'un.
- Ne branchez pas l'appareil et ne l'utilisez pas non plus si le cordon électrique ou l'appareil lui-même est endommagé.
- Ne branchez pas l'appareil et ne l'utilisez pas non plus à l'extérieur ou dans une pièce humide.
- Conservez le cordon électrique à l'abri d'objets chauds.
- Ne placez pas le cordon sous un tapis et ne placez aucun objet sur ce dernier. Assurez-vous également que le cordon ne passe pas en-dessous de l'appareil.
- Ne modifiez pas le cordon (notamment la longueur) entre le transformateur et l'appareil.

A NOTER LORS DE L'ASSEMBLAGE DE L'APPAREIL

Otez l'appareil de l'emballage. Vous trouverez les instructions d'assemblage détaillées au dos de ce manuel ; veuillez les suivre dans l'ordre indiqué.

Avant de commencer, vérifiez le contenu de l'emballage. S'il vous manque une pièce, contactez votre revendeur et indiquez-lui le modèle, le numéro de série de l'appareil et la référence de la pièce manquante. Vous trouverez la liste des pièces détachées à la fin de ce manuel. Les accessoires matériels sont marqués d'une * dans la liste des pièces détachées. Les directions droite, gauche, avant et arrière sont définies par rapport à la position d'exercice. Conservez les outils de montage, vous pourriez en avoir besoin pour régler l'appareil par exemple. Il faut être à deux pour assembler l'appareil.

L'emballage renferme un sachet de silicate pour absorber l'humidité pendant le stockage et le transport. Veuillez le jeter après avoir déballé l'appareil. Conservez au moins 1 m d'espace libre autour de l'appareil. Nous recommandons également d'ouvrir l'emballage et d'assembler le produit sur une base protectrice.

REGLAGES

REGLAGE DE LA SELLE

Réglez la selle à la hauteur adéquate ; en règle générale, la voûte plantaire doit toucher la pédale, au plus bas de sa course, quand la jambe est pratiquement tendue. Resserrez la vis de blocage. Maintenez la selle d'une main et, de l'autre main, tirez la molette de réglage vers l'extérieur pour que le guidon puisse coulisser vers le haut ou le bas. Quand la selle est à la hauteur souhaitée, relâchez le bouton et le verrouillage : la selle se bloque en place. Tournez le bouton de verrouillage dans le sens des aiguilles d'une montre pour le serrer.

ATTENTION ! Assurez-vous toujours que le bouton de verrouillage est correctement serré avant de commencer votre entraînement !

Lösen Sie den Knauf für die Arretierung an der Vorderseite der Lenkerstütze, und stellen Sie den gewünschten Lenkerwinkel ein. Ziehen Sie den Knauf für die Arretierung fest. Der Lenker ist so konstruiert, dass Sie in aufrechter Haltung oder mit nach vorn gebeugtem Oberkörper trainieren können. Denken Sie jedoch stets daran, den Rücken gerade zu halten.

ATTENTION ! Assurez-vous toujours que le bouton de verrouillage est correctement serré avant de commencer votre entraînement !

REGLAGE DU GUIDON

Desserrez le boulon de blocage situé à l'avant du guidon et inclinez ce dernier selon l'angle souhaité. Resserrez le bouton de blocage. Le guidon est conçu de telle façon que vous pouvez vous entraîner en position droite ou avec le torse incliné vers l'avant. N'oubliez pas cependant d'avoir toujours le dos droit.

ATTENTION ! Assurez-vous toujours que le bouton de verrouillage est correctement serré avant de commencer votre entraînement !

REGLAGE DE L'INCLINAISON DU COMPTEUR

Réglez l'inclinaison du compteur en fonction de votre taille et de votre position d'exercice.

REGLAGE DES PIEDS DE SUPPORT

Si le vélo n'est pas stable, réglez les vis situées sous les pieds de support jusqu'à ce que l'équipement soit stable.

UTILISATION

Si l'appareil n'est pas stable, réglez correctement les vis de blocage sous la partie arrière.

S'ENTRAINER AVEC BREMSHEY SPORT

Le pédalage est une excellente forme d'exercice aérobic qui lie à la fois modération et durée dans les efforts. Un tel exercice vise à améliorer votre capacité maximale d'absorption d'oxygène, donc votre endurance et votre condition physique. La capacité du corps à "brûler" la graisse est directement liée à sa capacité de transporter l'oxygène. L'exercice aérobic est avant tout un exercice agréable qui devra faire apparaître une légère sueur sur votre peau mais ne devra en aucun cas vous essouffler. Pour vous remettre en forme, il vous faut pratiquer des exercices physiques au moins trois fois par semaine pendant 30 minutes à chaque fois et pour vous maintenir en bonne condition, au moins deux fois par semaine. Débutez avec une vitesse de pédalage et une résistance faibles. Si vous êtes obèse, un effort excessif pourrait surcharger votre système cardiovasculaire. Au fur et à mesure que votre condition s'améliore, vous pourrez augmenter résistance et vitesse.

NIVEAU D'ENTRAÎNEMENT

Quel que soit votre objectif, vous obtiendrez les meilleurs résultats en vous entraînant à un niveau d'effort approprié, le meilleur contrôle étant votre pouls.

MESURE DU POULS A L'AIDE DES CAPTEURS DES POIGNEES

Le pouls est mesuré au niveau des mains par des capteurs situés sur les tubes de poignées. Les capteurs mesurent les impulsions électriques émises par les battements du cœur. Les mesures débutent lorsque les deux capteurs des poignées sont touchés simultanément. Pour que les mesures soient fiables, votre peau doit être légèrement humide et rester en contact permanent avec les capteurs. Si votre peau est trop sèche ou trop humide, la mesure de la fréquence cardiaque au niveau des mains sera moins fiable. Maintenez le haut de votre corps et les paumes de vos mains relâchés et immobiles.

MESURE DU RYTHME CARDIAQUE SANS FIL

La façon la plus fiable de mesurer le pouls est de le faire à l'aide d'un couple émetteur-récepteur sans fil, dans lequel les électrodes de l'émetteur fixé au niveau de la poitrine envoient les pulsations à l'unité des compteurs à travers

le champ électromagnétique existant entre l'émetteur et le récepteur.

ATTENTION ! Si vous utilisez un stimulateur cardiaque, vérifiez auprès de votre médecin que vous pouvez utiliser un cardiofréquencemètre sans fil.

Si vous désirez mesurer votre pouls avec la méthode sans fil, commencez par bien mouiller, avec de l'eau ou votre salive, les électrodes de la ceinture de l'émetteur, qui seront en contact avec la peau de votre poitrine. Si vous fixez la ceinture sur votre T-shirt, mouillez le T-shirt aux endroits où se posent les électrodes. Placez la ceinture flexible sous les muscles pectoraux de façon à ce que les électrodes de l'émetteur restent constamment en contact avec votre peau tout au long de l'exercice. Ne serrez cependant pas trop la ceinture: vous devez pouvoir respirer normalement. L'émetteur peut transmettre votre pouls à l'unité des compteurs sur une distance d'un mètre au maximum.

Si les électrodes ne sont pas suffisamment mouillées, l'écran n'affichera pas votre pouls. Donc si les électrodes se sont asséchées en contact avec votre peau, il vous faudra les mouiller à nouveau. Pour mesurer le pouls avec un maximum de fiabilité, laissez les électrodes s'échauffer, par contact sur votre peau, à la température de votre corps. Dans le cas où plusieurs équipements de mesure du pouls sans fils sont utilisés en même temps, la distance entre eux doit être d'au moins 1,5 m. D'autre part, si on ne dispose que d'un récepteur mais de plusieurs émetteurs, une seule personne portant un émetteur doit se trouver à l'intérieur de la zone de portée du récepteur, lorsque la mesure du pouls est en cours.

Prenez en compte dans vos vêtements d'entraînement le fait que certaines fibres utilisées dans les vêtements (ex. polyester, polyamide) génèrent de l'électricité statique, ce qui peut entraîner un manque de fiabilité de la mesure du rythme cardiaque. Un téléphone portable, une télévision et d'autres appareils électriques créent un champ électromagnétique autour d'eux, ce qui pose des problèmes dans la mesure du rythme cardiaque.

Déterminez d'abord votre rythme cardiaque maximum c'est à dire le rythme à partir duquel

le pouls n'augmente plus, même si l'effort est accru. Si vous ne connaissez pas votre pouls maximum, utilisez la formule indicative :

220 - ÂGE

Notez bien que c'est une valeur moyenne et que les maxima varient d'une personne à l'autre. Le pouls maximum diminue, en moyenne, d'une pulsation par année. Si vous faites partie d'un des groupes «à risque», consultez un médecin pour qu'il mesure votre pouls maximum. Nous avons déterminé trois zones de pouls pour vous aider dans vos entraînements soumis à un objectif.

DÉBUTANT : 50-60 % du pouls maximum

Ce niveau convient aussi aux personnes désirant perdre du poids ou n'ayant pas pratiqué d'activité physique depuis longtemps ainsi qu'aux convalescents. Il est recommandé de s'entraîner au moins une demi-heure trois fois par semaine. Un exercice régulier améliore, de façon décisive, les performances respiratoires et circulatoires du débutant et les effets d'une meilleure forme sont très vite ressentis.

ENTRAÎNEMENT: 60-70 % du pouls maximum

Ce niveau est parfait pour l'amélioration et le maintien d'une bonne condition physique. Il permet de renforcer le cœur et les poumons tout en respectant un effort raisonnable. S'entraîner au moins trois fois par semaine pendant une demi-heure minimum. Pour progresser davantage, augmentez soit la fréquence soit la durée des séances mais pas les deux en même temps !

ENTRAÎNEMENT ACTIF : 70-80 % du pouls maximum

L'exercice à ce niveau ne convient qu'aux personnes en excellente condition physique et suppose un entraînement antérieur de longue date.

UNITE DES COMPTEURS

BOUTONS

1. BOUTON CENTRAL DE SELECTION

Le bouton central de sélection s'utilise de deux façons :

A) Par rotation (+ / -). Tournez le bouton dans le sens des aiguilles d'une montre pour faire défiler les menus vers la droite et augmenter les valeurs ou la résistance. Tournez le bouton dans le sens inverse des aiguilles d'une montre pour faire défiler le menu vers la gauche et réduire les valeurs ou la résistance.

B) Par pression (ENTER). Appuyez sur le bouton pour valider la sélection que vous avez effectuée en le tournant.

2. START/STOP

Cette touche permet de démarrer, d'interrompre ou d'arrêter l'entraînement. Pendant l'entraînement, appuyez une fois sur ce bouton pour interrompre le programme et appuyez de nouveau pour le redémarrer.

3. RESET

Un simple pression retourne au menu des programmes et une pression plus longue redémarre le compteur.

4. RECOVERY

Cette touche permet de calculer votre indice de récupération de fréquence cardiaque.

AFFICHAGE

Petite fenêtre : temps (min:sec), vitesse (km/h ou ml/h), RPM (tour par min), distance (km ou ml), énergie dépensée (kcal), fréquence cardiaque (bpm) et puissance (W) sont affichés.

Grande fenêtre : passe automatiquement en revue les valeurs de temps, vitesse, RMP, distance, énergie dépensée, fréquence cardiaque et puissance toutes les 6 secondes. Appuyez sur ENTER pour arrêter le balayage et appuyez de nouveau sur ENTER pour passer à la fenêtre d'information suivante.

PROGRAMMES

1. PROGRAMME MANUAL

Sélectionnez vos objectifs pour la durée et/ou la distance et/ou l'énergie dépensée et/ou la limite supérieure de votre fréquence cardiaque en utilisant le BOUTON CENTRAL DE SELECTION.

Commencez l'entraînement en appuyant sur le bouton START/STOP.

Si vous avez défini un ou plusieurs objectifs, le compteur démarre. Réglez la résistance à l'aide du BOUTON CENTRAL DE SELECTION.

2. PROGRAMMES PREENREGISTRES

Le profil des programmes préenregistrés s'affiche en l'espace de deux secondes lorsque vous parcourez les programmes. Sélectionnez le programme voulu à l'aide du BOUTON CENTRAL DE SELECTION.

Réglez la durée de votre entraînement et/ou sélectionnez vos objectifs pour la distance et/ou l'énergie dépensée et/ou la limite supérieure de votre fréquence cardiaque en utilisant le BOUTON CENTRAL DE SELECTION.

Commencez l'entraînement en appuyant sur le bouton START/STOP.

Si vous avez défini un ou plusieurs objectifs, le compteur démarre. Pendant l'entraînement, vous pouvez régler la charge à l'aide du BOUTON CENTRAL DE SELECTION.

3. PROGRAMME USER

Le dernier profil de programme utilisé s'affiche. Vous pouvez commencer à vous entraîner avec vos objectifs personnels d'entraînement mémorisés en appuyant sur START/STOP ou bien modifier le programme. Lorsque la barre (1/20) clignote, le profil du programme peut être modifié. Si vous souhaitez apporter des modifications, modifiez la barre et confirmez. La barre suivante clignote. Une fois la dernière barre atteinte, l'affichage repasse à la première barre. Pour terminer la modification du profil, appuyez sur le bouton ENTER pendant 2 secondes. Le programme a mémorisé vos données d'entraînement personnelles (durée, distance, énergie et fréquence cardiaque). Modifiez vos objectifs si besoin est. Commencez l'entraînement en appuyant sur le bouton START/STOP.

Si vous avez défini un ou plusieurs objectifs, le compteur démarre. Pendant l'entraînement, vous pouvez régler la charge à l'aide du BOUTON CENTRAL DE SELECTION.

4. HEART RATE CONTROL

Sélectionnez votre âge, puis confirmez. Sélectionnez votre intensité d'entraînement ; vous avez le choix entre 55%, 75%, 90% ou TARGET. Choisir TARGET vous permet de définir votre objectif de fréquence cardiaque.

Commencez l'entraînement en appuyant sur le bouton START/STOP. Si vous avez défini un ou plusieurs objectifs, le compteur démarre.

Pendant l'entraînement, l'appareil ajustera automatiquement la résistance afin que vous atteigniez l'objectif fixé.

5. CONSTANT WATT

Sélectionnez la puissance à atteindre (en watts) et sélectionnez vos objectifs pour la durée et/ou la distance et/ou l'énergie dépensée et/ou la limite supérieure de votre fréquence cardiaque en utilisant le BOUTON CENTRAL DE SELECTION.

Commencez l'entraînement en appuyant sur le bouton START/STOP.

Si vous avez défini un ou plusieurs objectifs, le compteur démarre. Pendant l'entraînement, l'appareil ajustera la résistance selon votre vitesse de pédalage afin que vous atteigniez la puissance voulue. Vous pouvez modifier votre objectif de puissance grâce au BOUTON CENTRAL DE SELECTION.

6. RECOVERY

Une fois l'entraînement terminé, calculez votre indice de récupération en appuyant sur le bouton RECOVERY. Votre indice de récupération peut être calculé seulement si la mesure de votre fréquence cardiaque est activée et que sa valeur s'affiche. Cette mesure dure 60 secondes. Après une minute, votre indice de récupération s'affiche à l'écran, F1-F6 (F1 étant le meilleur résultat). Pour revenir au menu principal, appuyez de nouveau sur le bouton RECOVERY.

REGLAGE DES DONNEES UTILISATEUR

Juste après avoir relancé le compteur, vous pouvez sélectionner l'utilisateur. Sélectionnez-le, puis confirmez. Les données personnelles d'entraînement (durée, distance, énergie et fréquence cardiaque) sont mémorisées et chargées par défaut chaque fois que l'utilisateur est sélectionné.

REMARQUES SUPPLEMENTAIRES

1. Pour la vitesse et la distance, vous avez le choix entre les unités métriques ou anglaises. Utilisez l'interrupteur KM/ML situé au dos du compteur. Pour effectuer cette modification, le cordon d'alimentation doit être rebranché.

2. Si vous ne vous entraînez pas et si vous n'appuyez sur aucun bouton, le compteur passe en mode veille après 4 minutes. La température ambiante s'affiche.

3. Vous pouvez interrompre l'entraînement pendant 4 minutes maximum en appuyant sur le bouton START/STOP. Appuyez de nouveau

sur cette touche pour reprendre la séance d'entraînement interrompue avec les mêmes paramètres.

4. Pour saisir vos objectifs d'entraînement (durée, distance, énergie, fréquence cardiaque), l'appareil doit être en mode STOP (c'est-à-dire pas pendant l'entraînement).

5. Cet appareil ne peut être utilisé à des fins thérapeutiques.

6. La dépense énergétique est calculée selon des valeurs moyennes. Elle s'affiche en kilocalories ; pour la convertir en joules, utilisez la formule $1 \text{ kcal} = 4,187 \text{ kJ}$.

7. Si vous vous entraînez avec un dispositif permettant de mesurer la fréquence cardiaque (ceinture thoracique ou capteurs au niveau des poignets), vous pouvez définir la limite supérieure de votre fréquence cardiaque. Si vous dépassez ce seuil pendant l'entraînement, le compteur émet un signal d'alarme.

8. Les programmes préenregistrés sont divisés en 20 étapes. La durée d'une étape dépend de la durée définie pour la totalité de l'entraînement. Si aucune durée n'est définie, la durée d'une étape est fixée à 100 m en distance.

9. Si vous avez défini plusieurs objectifs, un signal est émis et l'entraînement s'arrête automatiquement lorsque chacun atteint zéro. Pour poursuivre la séance, appuyez sur START/STOP.

10. Veuillez noter que l'indice de récupération dépend de la fréquence cardiaque au début et à la fin de la mesure.

11. Dans les programmes HRC, les zones cibles de fréquence cardiaque (55%, 75% et 90%) sont calculées sous forme de pourcentage à partir de la fréquence cardiaque fonction de l'âge (formule : $\text{rythme cardiaque maximum} = 220 - \text{âge}$).

12. Au cours d'un programme HRC, la résistance s'adapte automatiquement. Elle augmente toutes les 30 secondes et elle diminue toutes les 15 secondes, si besoin est.

TRANSPORT ET RANGEMENT

Veillez suivre ces instructions pour déplacer ou transporter votre appareil: en le levant d'une façon incorrecte, vous risquez un accident ou un problème de dos.

L'appareil se déplace aisément grâce à ses roulettes de transport. Pour ce faire, se mettre derrière l'appareil, basculer l'appareil vers soi et le déplacer sur les roulettes disposées au bas de la barre de soutien derrière. Le déplacement de l'équipement peut abîmer certains revêtements de sol, par ex. les parquets en bois. Dans ce cas, veillez à protéger le sol.

Pour lui garantir un fonctionnement impeccable, rangez et utilisez votre appareil dans un endroit sec, sans variations de température importantes, et protégez-le contre les poussières.

MAINTENANCE

Le Cardio-Control ne requièrent qu'un minimum de maintenance. Vérifiez, de temps en temps, que tous les écrous et vis sont serrés.

- Après s'être exercé, séchez toujours l'appareil avec un tissu mou et absorbant. N'utilisez pas de détergent.
- N'enlevez jamais les capots protecteurs de l'appareil.

DEFAUTS DE FONCTIONNEMENT

ATTENTION ! En dépit d'un contrôle continu de la qualité, l'appareil peut présenter des défauts ou des anomalies de fonctionnement provenant de certains de ses composants. Dans ce cas, il n'est pas cependant nécessaire d'aller faire réparer votre appareil, le problème pouvant bien souvent être résolu par simple changement de la pièce défectueuse.

Si votre appareil se comporte de façon anormale, contactez votre vendeur.

Contactez votre distributeur au cas où vous remarqueriez un défaut ou un mauvais fonctionnement de votre l'appareil ou si vous avez besoin de pièces de rechange. Indiquez-lui la nature du problème, les conditions d'utilisation, la date d'achat, le modèle et le numéro de série. Vous trouverez la liste des pièces détachées à la fin de ce mode d'emploi. Seules des pièces mentionnées dans la liste des

pièces de rechange peuvent être utilisées dans l'appareil.

CARACTERISTIQUES TECHNIQUES

Longueur99 cm
 Largeur55 cm
 Hauteur134 cm
 Poids37 kg

Cardio-Control est conforme aux normes des directives EMC de l'UE concernant la compatibilité électromagnétique (89/336/CEE). Ce produit porte, en conséquence, la marque CE.

Cardio-Control est conforme aux normes de sécurité et de précision EN (EN-957).

Du fait de sa politique de développement continu des produits, Bremshey Sport se réserve le droit de modifier les spécifications sans préavis.

ATTENTION ! La garantie ne couvre pas les dommages dus à une négligence des instructions d'assemblage, de réglages ou de maintenance données dans ce mode d'emploi. Suivez les instructions scrupuleusement pour l'assemblage, l'utilisation et la maintenance de votre équipement. Des changements ou modifications non expressément approuvés par Bremshey Sport rendront nulle l'autorité de l'utilisateur sur l'équipement.

Nous vous souhaitons d'agréables et nombreuses séances d'exercice avec votre nouveau partenaire d'entraînement Bremshey Sport !

INHOUD

MONTAGE.....	23, 56
AFSTELLING.....	23
GEBRUIK.....	24
MONITOR.....	25
VERPLAATSEN.....	27
ONDERHOUD.....	27
GEBRUIKSSTORINGEN.....	28
TECHNISCHE GEGEVENS.....	28

OPMERKINGEN EN ADVIEZEN

Lees deze gids zorgvuldig door vóóordat u begint met monteren, gebruiken of onderhouden van uw Bremshey Sport trainer. Bewaar de gids op een handige plaats. U kunt er, nu en in de toekomst, nuttige informatie uithalen die u nodig heeft voor het gebruik en het onderhoud van de apparatuur. Volg de instructies altijd zorgvuldig op. De garantie vervalt bij schade ontstaan tijdens de verzending of door het niet volgen van de in deze handleiding gegeven instructies betreffende het monteren, afstellen en onderhoud van het apparaat.

VEILIGHEID

- Het doornemen en opvolgen van de onderstaande voorzorgen is uitermate belangrijk voor de veiligheid van de gebruiker.
- De trainer is geschikt voor personen tot maximaal 135 kg lichaamsgewicht.
- Laat uw conditie controleren bij uw huisarts voordat u begint met trainen.
- Bij misselijkheid, duizeligheid of een ander lichamelijk ongemak gebruik dient de gebruiker direct te stoppen en een arts te raadplegen.
- Om spierpijn te voorkomen, begint u de training met een warming up en sluit u die af met cooling-down (langzaam trainen met geringe weerstand). U sluit de training af met stretch oefeningen.
- Plaats de trainer op een vlakke en stevige ondergrond.
- De trainer kan tijdens het gebruik stof en/of smeermiddelen verliezen. De ondergrond dient hiertegen bestand te zijn.

- Zorg voor voldoende ventilatie tijdens de training, maar zorg dat u niet op de tocht zit.

- Gebruik de trainer uitsluitend voor het doel waarvoor deze is gemaakt en zoals hierna beschreven wordt.

VERDER

- De trainer mag uitsluitend door één persoon tegelijk gebruikt worden.

- Raak nooit bewegende delen aan.

- Houd kinderen tijdens de training buiten het bereik van de trainer. Houd huisdieren uit de buurt van het toestel wanneer het gebruikt of verplaatst wordt.

- Houd toezicht bij gebruik door kinderen of gehandicapte personen.

- Draag tijdens de training de juiste kleding en geschikte schoenen.

- Stop in geval van een defect of storing en neem contact op met uw Bremshey Sport dealer.

- Houd hiervoor gevoelige apparatuur of dingen buiten het bereik van het magnetisch veld van het weerstandsmechanisme.

- Controleer voor de training of het apparaat goed functioneert. Train nooit op een defect apparaat.

- Onderhoud en afstellingen anders dan in deze handleiding beschreven dienen uitsluitend uitgevoerd te worden door deskundigen. Volg de instructies van de handleiding nauwkeurig op.

- Tijdens de training is de ideale gebruikstemperatuur tussen +10° en +35°C; voor opslag gelden de temperaturen tussen de -15° en +40°C. De luchtvochtigheid in de trainings- of opslagruimte mag nooit hoger dan 90 % zijn.

- Leun of steun nooit op de monitor.

- Druk op de toetsen met uw vingertoppen; nagels kunnen de membraam toetsen beschadigen.

- Stap niet op de kunststof behuizing.

- Het apparaat is ontworpen voor thuisgebruik. De Bremshey Sport-garantie is alleen van toepassing op defecten en storingen ontstaan bij thuisgebruik (24 maanden). Voor informatie omtrent de garantie gelieve u contact op te nemen met

uw eigen wederverkoper van Bremshey Sport. De voorwaarden van de garantie kunnen per land verschillen.

OPMERKING OVER VEILIGHEID BIJ UNITS MET ELEKTRISCHE STROOMTOEVOER

Voordat het apparaat wordt aangesloten op het elektriciteitsnetwerk moet u ervoor zorgen dat het plaatselijke voltage past bij het voltage dat staat aangegeven op de typeplaat: het apparaat werkt op 230 V of 115 V (Noord-Amerikaanse versie). **BELANGRIJK!** Het apparaat moet worden aangesloten op een geaarde wandcontactdoos. Gebruik geen verlengsnoeren bij het aansluiten van de apparatuur op het elektriciteitsnetwerk. Schakel altijd de stroom uit en verwijder de stekker van het apparaat altijd onmiddellijk na het trainen uit het stopcontact!

Om het risico op brandwonden, brand, elektrische schok of verwondingen bij mensen te beperken:

- De apparatuur mag nooit onbemand worden achtergelaten als deze is aangesloten op het elektriciteitsnetwerk. Verwijder de stekker van het apparaat altijd uit het stopcontact wanneer het apparaat niet wordt gebruikt, vóór het uitvoeren van onderhoudswerkzaamheden of reparaties en wanneer het apparaat wordt verplaatst.
- Gebruik het apparaat niet als dit is afgedekt onder een deken of ander brandbaar materiaal. Dit kan oververhitting en brand, elektrische schokken of verwondingen veroorzaken.
- Sluit het apparaat niet aan op een stroombron, of gebruik het apparaat niet als er enige sprake is van beschadiging van het elektriciteits snoer of het apparaat zelf.
- Sluit het apparaat niet aan op een stroombron of gebruik het apparaat niet in de buitenlucht of op vochtige locaties.
- Houd het elektriciteits snoer uit de buurt van hete voorwerpen.
- Laat het elektriciteits snoer niet onder het tapijt doorlopen en plaats geen voorwerpen op het snoer. Zorg er ook voor dat het snoer niet onder het apparaat door loopt.
- Maak geen aanpassingen aan het snoer (bijvoorbeeld verlengen) tussen de transformator en het apparaat.

OPMERKING OVER HET MONTEREN VAN HET APPARAAT

Begin met het uitpakken van de apparatuur. De gedetailleerde montage-instructies vindt u achter in deze gids. Volg de instructies in de volgorde die wordt aangegeven.

Controleer de inhoud van het pakket voordat u begint met de montage. Als er een onderdeel ontbreekt, neem dan contact op met de dealer. Vermeld het model, het serienummer van het apparaat en het nummer van het ontbrekende onderdeel. Achter in deze gids vindt u de onderdelenlijst. De inhoud van het hardwarepakket is aangegeven met een * in de lijst met onderdelen. De aanwijzingen 'links', 'rechts', 'voor' en 'achter' zijn gegeven vanuit de gebruikspositie van het apparaat. Bewaar het montagegereedschap; mogelijk heeft u het later nodig, bijvoorbeeld voor het afstellen van het apparaat. NB: voor de montage zijn twee mensen nodig.

De verpakking bevat een zakje met silicaatkorrels dat de apparatuur tijdens opslag en transport heeft beschermd tegen vocht. Dit zakje kan na het uitpakken van het apparaat worden weggegooid. Houd rondom de apparatuur ten minste een bewegingsruimte van 100cm. Wij raden u ook aan om het pakket uit te pakken en het product te monteren op een beschermde ondergrond.

AFSTELLING

INSTELLEN VAN DE ZADELHOOGTE

Het zadel staat op de juiste hoogte als u, met een bijna gestrekt been, met de holte van uw voet het pedaal in de laagste stand kunt aanraken. Draai de vergrendelknop één slag los. Hou het zadel met één hand vast en trek met de andere hand de vergrendelingsknop naar u toe om de zadelpen vrij naar boven en beneden te kunnen verplaatsen. Heeft het zadel de juiste hoogte, laat dan de knop los. Het zadel is nu op de juiste hoogte vergrendeld. Draai de vergrendelknop weer vast. Door middel van de schaalverdeling die is aangebracht op de zadelpen, kunt u gemakkelijk onthouden wat voor u de juiste hoogte van het zadel is.

BELANGRIJK! Controleer altijd, vóór u met trainen begint, of de vergrendelknop goed is vastgedraaid!

Desserrez le boulon de blocage situé à l'avant du guidon et inclinez ce dernier selon l'angle souhaité. Resserrez le bouton de blocage. Le guidon est conçu de telle façon que vous pouvez vous entraîner en position droite ou avec le torse incliné vers l'avant. N'oubliez pas cependant d'avoir toujours le dos droit.

BELANGRIJK! Controleer altijd, vóór u met trainen begint, of de vergrendelknop goed is vastgedraaid!

STUUR

Maak de sluitknop aan de voorkant van het stuur los en bepaal de juiste hoek voor de positie van het stuur. Draai de sluitknop weer vast. Het ontwerp van het stuur stelt u in staat om te trainen in een verticale houding of met het bovenlijf naar voren geleund. Onthoud echter dat u uw rug altijd recht moet houden.

BELANGRIJK! Controleer altijd, vóór u met trainen begint, of de vergrendelknop goed is vastgedraaid!

AFSTELLING MONITORHOEK

Stel de hoek van de monitor zo in dat deze overeenkomt met uw lengte en trainingspositie.

AFSTELLING VAN STEUNVOETEN

Als het apparaat niet stabiel staat, verdraai dan indien nodig de stelschroeven onder de steunvoeten.

GEBRUIK

Instabiliteit van het toestel kunt u verhelpen met behulp van de afstelschroef onder de achtersteun.

FITNESS TRAINING MET BREMSHEY SPORT

Trainen op een hometrainer is een uitstekende aërobe training. Het basisidee is een voldoende lichte training die langere tijd kan worden volgehouden. Aërobe training bevordert het zuurstofopnamevermogen van het lichaam, waardoor ook het uithoudingsvermogen en de conditie verbeteren. Het menselijk vermogen tot het verbranden van vet is afhankelijk van dit zuurstofopnamevermogen.

Aërobe training moet plezierig zijn. Een beetje transpireren mag, maar buiten adem raken niet. Tijdens een oefening moet u gewoon een gesprek kunnen voeren. Door minstens drie keer per week 30 minuten te

trainen, bouwt u een basisconditie op die u vervolgens onderhoudt door enkele keren per week te trainen. Vervolgens kunt u uw conditie eenvoudig verbeteren door het aantal trainingen op te voeren. Omdat een zware training voor mensen met overgewicht belastend kan zijn voor hart en bloedvaten is het verstandig te beginnen met een langzame pedaalslag met geringe weerstand. Naarmate de conditie toeneemt, kunnen snelheid en weerstand geleidelijk worden opgevoerd.

TRAININGS NIVEAU

Wat uw doel, uw streven ook met het trainen is, u bereikt het beste resultaat door te trainen op een niveau dat u aankunt. Daarvoor is, zoals gezegd, uw hartslag de beste graadmeter.

HARTSLAGMETING MET HANDGREEPSSENSOREN

De hartslag wordt gemeten aan de handen, door de sensoren op het stuur. De sensoren meten elektrische impulsen, die bij de hartslag ontstaan. De meting start als beide sensoren op het stuur gelijktijdig worden aangeraakt. Voor een betrouwbare hartslagmeting moet de huid een klein beetje vochtig zijn en moet de huid ononderbroken met de sensoren in contact zijn. Als de huid te droog of te vochtig is, is hartslagmeting via de handen minder betrouwbaar. Probeer uw bovenlichaam en palmen ontspannen en stil te houden.

HARTSLAG METEN

Hartslag kan telemetrisch worden gemeten. Deze trainer heeft een ingebouwde hartslagontvanger voor de borstband met ingebouwde telemetrische hartslagzender. Dit is het meest betrouwbare systeem, dat werkt met een borstband met meerdere elektrodes waarvan de gemeten waarden draadloos doorgeseind worden naar de monitor.

BELANGRIJK! Als u een pacemaker gebruikt, mag u de borstband alleen met toestemming van een arts gebruiken.

Wanneer u uw hartslag tijdens de training op deze manier wilt controleren, moeten de geribbelde elektroden aan de binnenzijde van de borstband vochtig gemaakt worden (water). Plaats de zender juist onder de borst met de elastische band strak genoeg om tijdens het fietsen de elektroden contact te laten houden met de huid, maar niet zo strak dat normaal ademen wordt belemmerd.

De zender geeft de hartslag automatisch door aan de monitor die zich niet verder dan één meter van de borstband mag bevinden. Wanneer de zender verder van de monitor

verwijderd is, wordt het signaal te zwak om te ontvangen. Let er ook op dat niet meerdere personen met een borstband om, binnen een straal van één meter rond de monitor staan, want de monitor ontvangt dan van elke elektrode een signaal en telt deze dan bij elkaar op. Door vocht en transpiratie op de elektrodes kan de zender aan blijven staan. Om lege batterijen te voorkomen maakt u de elektrodes na gebruik goed schoon en droog.

Denkt u eraan wat de trainingskleding betreft, dat bepaalde in de kleding gebruikte vezels (zoals polyester of polyamide) statische electriciteit veroorzaken, wat bij de hartslagmeting problemen veroorzaken kan. Denkt u eraan dat mobiele telefoons, een TV of andere elektronische apparaten een electromagnetisch veld om zich heen vormen, wat bij de hartslagmeting problemen veroorzaken kan.

Om te beginnen dient u te weten wat uw maximale hartslag is: dit is de hartslag die bij meer inspanning niet meer hoger wordt. Als u niet weet wat uw maximale hartslag is, kunt u de volgende formule als leidraad nemen:

220 - LEEFTIJD

Het maximum varieert van persoon tot persoon. De maximale hartslag daalt per jaar met gemiddeld één punt. Als u tot de risicogroepen behoort, vraag dan een arts uw maximale hartslag te bepalen. Om u te helpen met uw training, hebben wij drie verschillende hartslag niveaus geselecteerd.

BEGINNER: 50 tot 60 % van de maximale hartslag

Dit niveau is ook geschikt voor mensen die lijnen, mensen die herstellende zijn van een ziekte en mensen die lang niet getraind hebben. Drie trainingen van tenminste een halfuur per week zijn aan te bevelen. Regelmatig trainen stimuleert bij een beginner de ademhaling en bloedsomloop in sterke mate en zorgt al snel voor een merkbaar resultaat.

GEMIDDELDE SPORTER: 60 tot 70 % van de maximale hartslag

Een perfect niveau om de conditie te verbeteren en op peil te houden. Zelfs een redelijk normale inspanning - minimaal 3 trainingen van 30 minuten per week - heeft een positief effect op hart en longen. Om uw conditie verder te verbeteren kunt u het aantal keren trainen per week verhogen of de duur van uw training verlengen. Verhoog echter nooit beide tegelijkertijd!

GETRAINDE SPORTER: 70 tot 80 % van de maximale hartslag

Trainen op dit niveau is alleen weggelegd voor wie écht fit is en wie gewend is aan langdurige conditie trainingen.

MONITOR

KNOPPEN

1. KEUZEWIEL

U kunt het keuzewiel op twee manieren gebruiken:

A) Draaien aan het wiel (+/-). Door het wiel rechtsonder te draaien, kunt u menu's naar rechts schuiven en de waarden of de weerstand verhogen. Door het wiel linksom te draaien, kunt u menu's naar links schuiven en de waarden of de weerstand verlagen.

B) Het wiel indrukken (ENTER). Door het wiel in te drukken, kunt u de keuze bevestigen die u eerder hebt gemaakt door aan het wiel te draaien.

2. START/STOP

Hiermee wordt de training gestart, gepauzeerd en beëindigd. Tijdens de training kunt u, door één keer op deze knop te drukken, de Pauze-stand activeren. Als u opnieuw op de knop drukt, gaat het programma weer verder.

3. RESET

Eén keer kort indrukken: hiermee keert u terug naar het programmamenu. Lang indrukken: hiermee wordt de meter opnieuw gestart.

4. RECOVERY

Berekent de index van uw herstelhartslag.

BEELDSCHERM

Klein venster: Tijd (mm:ss), snelheid (km/u of ml/u), RPM (omwentelingen per min.), afstand (km of ml), energieverbruik (kcal), hartslag (slagen per minuut) en vermogen (W) worden getoond.

Groot venster: Toont elke zes seconden automatisch achtereenvolgens de waarden tijd - snelheid - RPM - afstand - energieverbruik - hartslag - vermogen.. De doorloop kan worden gestopt door de ENTER-knop in te drukken. Door opnieuw op ENTER te drukken, kunt u de informatie in het grote venster wijzigen en de volgende waarde in beeld laten verschijnen.

PROGRAMMA'S

1. MANUAL PROGRAMMA

Stel een streeftijd en/of -afstand en/of -energieverbruik en/of bovenste hartslaggrens in door middel van het KEUZEWIEL.

Start de training door de START/STOP-knop in te drukken.

Als u streefdoelen/streefdoelen heeft ingesteld, dan zullen die streefdoelen/streefdoelen beginnen met aftellen. De weerstand kunt u instellen met het KEUZEWIEL.

2. VOORGEPROGRAMMEERDE PROGRAMMA'S

Het profiel van het voorgeprogrammeerde programma wordt gedurende twee seconden getoond terwijl u door de programma's bladert. Selecteer het gewenste voorgeprogrammeerde programma met behulp van het KEUZEWIEL.

Stel een trainingstijd en/of streefafstand en/of -energieverbruik en/of bovenste hartslaggrens in door middel van het KEUZEWIEL.

Start de training door de START/STOP-knop in te drukken.

Als u streefdoelen/streefdoelen heeft ingesteld, dan zullen die streefdoelen/streefdoelen beginnen met aftellen. Tijdens de training kunt u de weerstand aanpassen door gebruik te maken van het KEUZEWIEL.

3. USER PROGRAMMA

Het programmaprofiel dat als laatste is gebruikt, verschijnt in beeld. U kunt beginnen met trainen volgens uw persoonlijke trainingsstreefdoelen die in het geheugen zijn opgeslagen (door de START/STOP-knop in te drukken), of u kunt het programma aanpassen. De balk met het programmaprofiel (1/20) dat nu kan worden aangepast, knippert. Als u het programma wilt aanpassen, pas dan de instellingen in de knipperende balk aan en bevestig uw keuze. Vervolgens gaat de volgende balk knippen. Na de laatste balk verschijnt de eerste balk weer op het scherm. Door 2 seconden lang de ENTER-knop ingedrukt te houden, voltooit u de aanpassingen in het profiel. Nu is het programma ingesteld met uw opgeslagen persoonlijke trainingsgegevens (streefdoelen voor tijd, afstand, energieverbruik en hartslaggrens). U kunt uw streefdoelen naar behoefte aanpassen. Start de training door de START/STOP-knop in te drukken.

Als u streefdoelen/streefdoelen heeft ingesteld, dan zullen die streefdoelen/streefdoelen beginnen met aftellen. Tijdens de training kunt u de weerstand aanpassen door gebruik te maken van het KEUZEWIEL.

4. HEART RATE CONTROL

Kies uw leeftijd en bevestig uw keuze. Kies één van de vier verschillende trainingsintensiteiten (55%, 75%, 90% of TARGET). Als u TARGET kiest, dan kunt u een streefdoel voor uw hartslag invoeren.

Start de training door de START/STOP-knop in te drukken. Als u streefdoelen/streefdoelen heeft ingesteld, dan zullen die streefdoelen/streefdoelen beginnen met aftellen.

Tijdens de training zal de apparatuur automatisch de weerstand aanpassen, zodat uw hartslagstreefdoel kan worden bereikt en vastgehouden.

5. CONSTANT WATT

Stel een streefdoel in voor het vermogen in watt en een streeftijd en/of -afstand en/of -energieverbruik en/of bovenste hartslaggrens door middel van het KEUZEWIEL.

Start de training door de START/STOP-knop in te drukken.

Als u streefdoelen/streefdoelen heeft ingesteld, dan zullen die streefdoelen/streefdoelen beginnen met aftellen. Tijdens de training zal de apparatuur automatisch de weerstand aanpassen, afhankelijk van uw trapsnelheid, zodat het streefdoel voor het vermogen wordt bereikt en vastgehouden. U kunt het streefvermogen veranderen met het KEUZEWIEL.

6. RECOVERY

Begin met de herstelberekening na de training. Druk hiervoor op de RECOVERY-knop. De berekening van de herstelhartslag kan alleen worden gestart als de hartslagmeting is ingeschakeld en de hartslagwaarde wordt getoond op het scherm. Deze meting duurt 60 seconden. Na 60 seconden verschijnt op het scherm uw herstelindex op een schaal van F1 tot F6 (F1 = beste resultaat). Om terug te keren naar het hoofdmenu drukt u één keer op de RECOVERY-knop.

GEBRUIKERSGEGEVENS INSTELLEN

Meteen na het herstarten van de meter kunt u de gebruiker kiezen. Selecteer de gebruiker en bevestig uw keuze. Persoonlijke trainingsgegevens (tijd, afstand, energieverbruik, hartslaggrens en leeftijd) zullen worden opgeslagen in het geheugen en standaard worden opgehaald wanneer de betreffende gebruiker wordt geselecteerd.

AANVULLENDE OPMERKINGEN

1. Voor het instellen van de snelheid en afstand kunt u kiezen voor metrische of Engelse eenheden. Dit kunt u instellen door gebruik te maken van de KM/ML-schakelaar die zich aan de achterkant van de meter bevindt. Het elektriciteitsnoer moet opnieuw in het stopcontact worden gestoken om de verandering door te voeren.
2. Als u niet aan het trainen bent en er worden geen knoppen ingedrukt, dan schakelt de meter na ca. vier minuten automatisch over naar de slaapstand. Op het scherm wordt de kamertemperatuur weergegeven.
3. Als de START/STOP-knop wordt ingedrukt, wordt de training maximaal 4 minuten gepauzeerd. Als de knop daarna opnieuw wordt ingedrukt, kunt u doorgaan met de gepauzeerde trainingssessie en kunt u hierbij gebruik maken van de eerder gebruikte trainingsgegevens.
4. Het invoeren van trainingsstreefdoelen (tijd, afstand, energieverbruik, hartslaggrens) is alleen mogelijk wanneer het apparaat in de STOP-stand staat (niet tijdens de training).
5. Deze apparatuur kan niet worden gebruikt voor therapeutische doeleinden.
6. Het energieverbruik wordt berekend op basis van gemiddelde waarden. Het energieverbruik wordt weergegeven in kilocalorieën. Om dit om te rekenen in joules gebruikt u de volgende formule: 1 Kcal = 4,187 KJ.
7. Als u traint met een hartslagmeting (met een borstriem of hartslagmeter in de handgrepen), kunt u een maximale hartslaggrens instellen. Wanneer deze grens wordt overschreven tijdens het trainen, zal de meter een alarmsignaal afgeven.
8. Voorgeprogrammeerde programma's zijn verdeeld in 20 stappen. De duur van één stap is afhankelijk van de tijd die is ingesteld voor de hele training. Als er geen tijd is ingesteld, dan duurt één stap 100 meter in afstand.

9. Als u streefdoelen heeft ingesteld die aftellen, dan klinkt er een signaal en wordt de training automatisch stopgezet wanneer een van de streefdoelen de nulwaarde bereikt. U kunt de training hervatten door te drukken op START/STOP.

10. NB: de herstelindex staat in verhouding tot de hartslagfrequentie, zowel aan het begin als aan het einde van de meting.

11. Bij het HRC-programma wordt het bereik van het hartslagstreefdoel (55%, 75% en 90%) berekend als percentage van de maximale hartslag zoals die geldt voor uw leeftijd (berekenningsformule: maximale hartslag = 220 – leeftijd).

12. De weerstand wordt tijdens het HRC-programma elke 30 seconden verhoogd en elke 15 seconden verlaagd, indien nodig.

VERPLAATSEN

Wilt u uw trainer verplaatsen, doe dat dan op de hieronder omschreven manier. Het verkeerd optillen van een zwaar apparaat, kan immers rugletsel veroorzaken.

Plaats de trainer in een droge, stofvrije ruimte met minimale temperatuurverschillen. Met behulp van de transportrollen aan de voorkant is de Cardio-Control eenvoudig te verplaatsen. Ga voor de Cardio-Control staan en kantel het frame naar u toe. Nu kan het apparaat verreden worden. Pas op dat de vloer niet beschadigt wanneer u het toestel verplaatst. Bescherm tere vloermaterialen zoals parketvloeren enz. Om schade aan het apparaat te voorkomen, is het raadzaam de trainer op een droge plek met zo min mogelijk stof en temperatuurwisselingen te plaatsen.

ONDERHOUD

De Bremshey Sport apparaten hebben weinig onderhoud nodig. Het is raadzaam om zo nu en dan te controleren of alle bouten en moeren nog goed vast zitten.

- U kunt het apparaat schoonhouden door het af te nemen met een vochtige doek. Gebruik echter geen oplosmiddelen.
- Verwijder de kunststof behuizing van het apparaat nooit!



Voor de eerste ingebruikname van uw trainingstoestel is het zeer raadzaam de trainer te behandelen met een beschermend onderhoudsproduct tegen inwerking van transpiratie, vocht en vuil.

Behandel alle metalen delen, buizen, bouten, moeren e.d. met een wax, vaseline of andere beschermend onderhoudsmiddel die ook wel bij fietsen e.d. gebruikt worden.

GEBRUIKSSTORINGEN

Ondanks voortdurende kwaliteitscontroles, kunnen er defecten of storingen optreden die het gevolg zijn van het niet goed functioneren van onderdelen die in de trainer zijn gebruikt. In de meeste gevallen is het onnodig om het gehele apparaat ter reparatie aan te bieden, aangezien de storing meestal kan worden opgelost door het vervangen van het defecte onderdeel.

Mochten er storingen optreden bij het gebruik van de trainer, neem dan onmiddellijk contact op met uw Bremshey Sport dealer. Vermeldt daarbij altijd het model en het serienummer van uw Bremshey Sport trainer, de eventuele storingscode en door wie de trainer is geïnstalleerd.

Vermeldt bij het bestellen van onderdelen ALTIJD het modelnummer, het serienummer van het apparaat en het nummer van het onderdeel. Op de laatste pagina's van deze gids vindt u de onderdelenlijst.

TECHNISCHE GEGEVENS

Lengte99 cm
 Breedte55 cm
 Hoogte134 cm
 Gewicht37 kg

De Cardio-Control voldoet aan de eisen van EUs EMC Directieven betreffende elektromagnetische compatibiliteit (89/336/EEC). Daarom is dit product met de CE label voorzien.

De Cardio-Control voldoet aan EN precisie- en veiligheidsnormen (EN-957).

Bremshey Sport is altijd gerechtigd om specificaties te veranderen zonder daarover nader te berichten.

BELANGRIJK! De garantie vervalt bij schade als gevolg van het niet volgen van de instructies in deze gids betreffende het monteren, het instellen en het onderhouden van de apparatuur. De instructies dienen bij het in elkaar zetten, het onderhoud en het gebruik, zo zorgvuldig mogelijk te worden gevolgd. Veranderingen of modificaties, welke niet door Bremshey Sport zijn goedgekeurd, laten de Bremshey Sport product aansprakelijkheid geheel vervallen.

Wij wensen u veel plezierige trainingen met uw nieuwe Bremshey Sport trainingspartner!



INDICE

MONTAGGIO.....	30, 56
REGOLAZIONI.....	30
UTILIZZO.....	31
PANNELLO.....	32
TRASPORTO ED IMMAGAZZINAGGIO.....	34
MANUTENZIONE.....	34
DISTURBI DURANTE L'USO.....	35
DATI TECNICI.....	35

AVVERTENZE

Questo libretto di istruzioni è una parte essenziale della tua attrezzatura da ginnastica. Leggi con attenzione quanto scritto in questa guida, prima del montaggio dei pezzi e prima di fare uso dell'attrezzo o di effettuarne qualunque manutenzione. Ti raccomandiamo pure di conservare la presente guida in un luogo sicuro e a portata di mano; essa ti fornirà, adesso e nel futuro, tutte le istruzioni necessarie all'uso e alla manutenzione della tua attrezzatura da ginnastica. Tali istruzioni devi seguirle sempre con molta attenzione! La garanzia non copre danni derivati da negligenze derivate nelle regolazioni o nelle manutenzioni descritte in questo libretto.

AVVERTENZE SULLA VOSTRA SALUTE

- Prima di iniziare l'allenamento consultate un medico per controllare la vostra condizione fisica.
- Se avvertite disturbi, nausea o altri sintomi anormali durante l'esercizio, smettete immediatamente e consultate un medico.
- Onde evitare dolori muscolari, fate alcuni esercizi di stiramento prima dell'allenamento.

AVVERTENZE SULL'AMBIENTE

- L'attrezzo non è stato progettato per essere usato all'aperto.
- Posizionare l'attrezzo su una superficie la più piana possibile.
- Assicuratevi che l'ambiente dove vi allenate abbia ventilazione adeguata e non sia umido.

- Consigliamo di conservare l'attrezzo, quando in uso, a temperatura ambiente da +10 a +35°C. L'attrezzo può essere immagazzinato da -15 a +40°C. Il tasso d'umidità non deve mai superare il 90 %.

AVVERTENZE SULL'USO DELL'ATTREZZO

- Se si permette ai bambini di usare l'attrezzo, si deve sempre tenere conto del loro sviluppo fisico e mentale e del loro temperamento. Devono essere istruiti al corretto uso dell'attrezzo e controllati. Accertarsi che non vi siano animali domestici vicino all'apparecchio in movimento o durante l'esercizio.
- Prima dell'uso assicuratevi che l'attrezzo funzioni correttamente. Non usate un attrezzo difettoso.
- Non appoggiarsi mai sul pannello.
- Premi i tasti con il polpastrello: le unghie possono danneggiare la membrana del display.
- Non usate mai l'attrezzo con carter smontati.
- Per evitare danni consigliamo di collocare l'attrezzo su una superficie protettiva.
- L'attrezzo può essere usato da una persona sola alla volta.
- Proteggi il pannello dell'utente dalla luce del sole. La superficie del pannello, se bagnata dal sudore, deve sempre essere asciugata.
- Indossate abbigliamento appropriato durante l'allenamento.
- Non tentate riparazioni e manutenzioni diverse da quelle descritte da questo manuale.
- L'attrezzo non può essere usato da persone, il cui peso superi i 135 kg.
- Questo attrezzo è concepito per uso domestico, per il quale vale la garanzia; per uso domestico 24 mesi. Tutti i quesiti riguardanti gli interventi previsti dalla garanzia, devono essere rivolti al vostro rivenditore di fiducia Bremshey Sport. Ricordiamo che le condizioni della garanzia possono variare da una nazione all'altra.

NOTA SULLA SICUREZZA DELLE APPARECCHIATURE DOTATE DI COLLEGAMENTO ELETTRICO

Prima di collegare l'apparecchio a una sorgente di alimentazione, assicurarsi che il voltaggio locale corrisponda a quello indicato sulla targhetta: l'apparecchio funziona a 230 V o 115 V (versione nordamericana). **NOTA!** L'apparecchio va collegato a una presa di corrente con messa a terra. Non utilizzare prolunghe per collegare l'apparecchio alla sorgente di alimentazione. Spegnerne sempre l'interruttore e scollegare l'apparecchio dalla presa di corrente subito dopo l'uso!

Per ridurre il rischio di ustioni, incendi, scariche elettriche o danni alle persone:

- Quando è collegato alla presa di corrente, l'apparecchio non va mai lasciato incustodito. Scollegare l'apparecchio dalla presa di corrente quando non è in uso, prima di eseguire operazioni di manutenzione o riparazione e prima di spostarlo.
- Non utilizzare l'apparecchio sotto una coperta o altro materiale combustibile. La macchina potrebbe surriscaldarsi e provocare incendi, scariche elettriche o danni alle persone.
- Non collegare l'apparecchio alla presa di corrente e non metterlo in funzione se il cavo di alimentazione o l'apparecchio stesso risultano danneggiati.
- Non collegare l'apparecchio a una sorgente di alimentazione e non metterlo in funzione in ambienti esterni o luoghi umidi.
- Tenere il cavo di alimentazione lontano da oggetti caldi.
- Non far passare il cavo di alimentazione sotto tappeti e non appoggiare oggetti sul cavo. Assicurarsi anche che il cavo di alimentazione non passi sotto l'apparecchio.
- Non alterare (ad esempio, allungare) il cavo fra il trasformatore e la macchina.

NOTA SUL MONTAGGIO DELL'APPARECCHIO

Disimballare l'apparecchio. Le istruzioni di montaggio dettagliate si trovano in fondo alla presente guida. Seguire le istruzioni nell'ordine indicato.

Prima di iniziare l'assemblaggio, controllare il contenuto della confezione. Se manca qualche parte, contattare il proprio rivenditore indicando modello, numero di serie dell'apparecchio e numero di ricambio della parte mancante. In fondo alla presente guida si trova un elenco dei ricambi. I componenti presenti nella confezione sono contrassegnati con un * nell'elenco dei ricambi. Le direzioni sinistra, destra, fronte e retro sono definite in rapporto alla posizione in cui si trova la persona durante l'allenamento. Conservare gli attrezzi di montaggio, perché potrebbero tornare utili, ad esempio per regolare l'apparecchio. Si tenga presente che per il montaggio sono necessarie due persone.

L'imballaggio è inclusivo di sacchetto riempito con silicati, per l'assorbimento dell'umidità quando si ripone l'apparecchio e durante il trasporto. Eliminare il sacchetto dopo il disimballaggio dell'apparecchio. Mantenere uno spazio di libero di almeno 1 mt. intorno all'apparecchio. Raccomandiamo inoltre di aprire la confezione e assemblare il prodotto su una base protettiva.

REGOLAZIONI

POSIZIONAMENTO DELLA SELLA

Posiziona la sella all'altezza a te adatta; la regola di base è che l'arcata inferiore del piede possa raggiungere il pedale, quando la gamba sia tenuta in posizione pressochè diritta e contemporaneamente il pedale si trovi nella sua posizione più bassa. Stringi la vite di fissaggio. Tenendo saldamente il sedile con una mano, tirare la manopola di fissaggio verso l'esterno per consentire il libero movimento del manubrio verso l'alto e verso il basso. Quando l'altezza sia in posizione corretta, fai in maniera che il bloccaggio, per pomello e seggiolino, venga a trovarsi al posto giusto. Gira il pomello di bloccaggio in senso orario, per stringerlo.

AVVERTENZA! Assicurati sempre che il pomello di bloccaggio sia stretto bene, prima di dar via agli allenamenti!

Per regolare avanti e indietro la posizione del sedile in orizzontale, allentare la manopola di bloccaggio situata sotto il sedile ruotandola in senso orario. Regolare il sedile nella posizione desiderata e stringere la manopola di bloccaggio ruotandola in senso antiorario.

AVVERTENZA! Assicurati sempre che il pomello di bloccaggio sia stretto bene, prima di dar via agli allenamenti!

MANUBRIO

Allentare la manopola di bloccaggio situata nella parte anteriore della base del manubrio e trovare l'angolo giusto a cui posizionare il manubrio. Stringere la manopola di bloccaggio. Il design del manubrio consente di esercitarsi sia in posizione eretta che con la parte superiore del corpo protesa in avanti. Ricordarsi comunque di tenere sempre la schiena dritta.

AVVERTENZA! Assicurati sempre che il pomello di bloccaggio sia stretto bene, prima di dar via agli allenamenti!

REGOLAZIONE DELL'INCLINAZIONE DEL

PANNELLO

Impostare l'inclinazione del pannello in modo che corrisponda alla propria altezza e alla posizione di allenamento.

REGOLAZIONE DELLA PEDANA DI SUPPORTO

Se l'attrezzo non è stabile, è necessario regolare le viti situate sotto la pedana di supporto.

UTILIZZO

Se il dispositivo non è stabile, regolare le viti di regolazione sotto il supporto fino a raggiungere la stabilità.

IL TRAINING CON LA BREMSHEY SPORT

Pedalaré è un eccellente esercizio aerobico molto meglio se di bassa intensità ma di lunga durata per persone di tutte le età. L'allenamento aerobico migliora la capacità polmonare, che migliora la resistenza e la condizione fisica in generale. La capacità del corpo umano di bruciare grasso è direttamente dipendente alla capacità di immissione dell'ossigeno. L'esercizio aerobico deve soprattutto essere divertente. Aumenta la respirazione ma non dovreste mai andare in debito di ossigeno durante l'allenamento. Per esempio, mentre si pedala si dovrebbe riuscire a parlare.

Dovreste allenare almeno tre volte la settimana per 30 minuti per raggiungere un discreto livello che per essere migliorato richiede solo l'incremento delle sessioni di allenamento. Potete iniziare a ritmo blando e bassa resistenza perché un esercizio troppo intenso può provocare in una persona sovrappeso un affaticamento del cuore. Si possono controllare i propri progressi misurando le pulsazioni sotto sforzo grazie all'accessorio incluso.

BATTITO CARDIACO

Il cardiofrequenzimetro, che permette di controllare anche la circolazione superficiale, è integrato nel corrimano. I sensori installati, rivelano la frequenza cardiaca quando l'utente appoggia entrambe le mani sul corrimano. Qualunque sia lo scopo che tu ti sia prefissato, i risultati migliori saranno raggiunti col suddetto training al giusto livello di sforzo, e la misura migliore, per tale sforzo, è il ritmo del tuo stesso cuore.

RILEVAZIONE DEL BATTITO CARDIACO TRAMITE SENSORI NEL MANUBRIO

Il battito cardiaco viene misurato dalle mani mediante i sensori disposti sul manubrio. I sensori rilevano gli impulsi elettrici generati dal battito cardiaco. La misurazione inizia quando entrambi i sensori del manubrio vengono toccati simultaneamente. Per garantire una misurazione affidabile del battito cardiaco, è necessario che la pelle sia leggermente umida e a continuo contatto con i sensori. Se la pelle è troppo asciutta o bagnata, la misurazione del battito cardiaco attraverso le mani risulta meno affidabile. Cercare di mantenere la parte superiore del corpo e i palmi delle mani rilassati e fermi.

MISURAZIONE DELLA FREQUENZA CARDIACA CON LA CINTURA

La misurazione telemetrica è la più affidabile, gli elettrodi rilevano e trasmettono le pulsazioni dal cuore al pannello per mezzo di un campo elettromagnetico.

ATTENZIONE! Coloro i quali sono portatori di pacemaker devono consultare il proprio medico, che indicherà o meno la possibilità di utilizzare l'attrezzo con questo tipo di cardiofrequenzimetro.

Se volete misurare le pulsazioni in questo modo durante l'allenamento, inumidite gli elettrodi in gomma posti sulla cinghia elastica con saliva e acqua. Allacciate la cintura sotto al petto abbastanza stretta in modo che gli elettrodi rimangano a contatto con la pelle, ma non così stretta da rendere difficile la respirazione.

Il campo di trasmissione massimo o è circa 1 m. nella portata di trasmissione. Se allacciate le cintura sopra una maglietta, inumiditela leggermente nei punti di contatto degli elettrodi.

Se gli elettrodi non sono umidi, il vostro battito non appare sullo schermo. Se gli elettrodi sono asciutti, inumiditeli nuovamente. Se ci sono parecchi sistemi i di rilevazione telemetrica vicini, è bene che la distanza tra loro sia di almeno 1.5 m. Il trasmettitore si accende da solo appena rileva i primi battiti. Sudore o creme possono mantenerlo acceso anche dopo l'uso consumando la batteria. Ecco perché è bene pulire gli elettrodi dopo l'uso.

Prima di scegliere gli abiti da ginnastica, tieni presente che alcune fibre tessili in essi usate (esempio poliesteri e poliamidi) sono produttrici di elettrostaticità, e ciò può inficiare l'affidabilità della misura pulsazioni. Tieni anche presente che telefono cellulare, TV ed altri apparati elettrici formano all'intorno un campo elettromagnetico, con conseguenti problemi nella misura del battito cardiaco.

Per prima cosa, quindi, devi sapere qual'è il livello massimo di battiti cardiaci, ovvero il livello, oltre il quale le pulsazioni non aumentano, pur aggiungendo sforzi. Se tu non conosci il numero massimo delle tue pulsazioni, puoi usare la seguente formula indicativa:

220 - ETÀ

Naturalmente, il valore massimo effettivo varia da persona a persona. Il numero massimo di pulsazioni cardiache diminuisce, in media, di un punto ogni anno. Se appartieni ad uno gruppo a rischio, chiedi a un medico di misurare il tuo livello massimo di pulsazioni cardiache. Abbiamo definito tre differenti aree di pulsazioni, per aiutarti a stabilire il tuo livello di training.

PRINCIPIANTI: 50-60 % del massimo di pulsazioni

Questo livello è indicato anche per i weight-watchers, per i convalescenti e per coloro che non hanno fatto allenamento per lungo tempo. Si raccomandano tre periodi di training ininterrotto alla settimana, ognuno della durata di almeno mezz'ora. Un esercizio regolare migliora notevolmente la performance respiratoria e circolatoria del principiante, tanto da farti sentire presto molto più in forma.

TRAINER: 60-70 % del massimo di pulsazioni

Questo livello è perfetto per chi voglia migliorare il proprio fitness e mantenerlo in ottime condizioni. Uno sforzo ragionevole e bilanciato migliora notevolmente le funzioni cardiovascolari e respiratorie; il training deve durare per almeno 30 minuti e deve essere fatto come minimo tre volte alla settimana. Per migliorare ulteriormente la tua condizione fisica, puoi aumentare la frequenza o l'intensità dello sforzo, ma non entrambi allo stesso tempo!

TRAINER ATTIVO: 70-80 % del massimo di pulsazioni Le esercitazioni a questo livello vanno bene solo per coloro che hanno raggiunto una forma quasi perfetta e devono essere precedute da lunghi periodi di allenamenti "endurance".

PANNELLO

PULSANTI

1. MANOPOLA DI SELEZIONE

La manopola di selezione funziona in due modi:

A) Tramite rotazione (+ / -). Ruotando la manopola in senso orario è possibile scorrere i menu verso destra o aumentare i valori selezionati e la resistenza. Ruotando la manopola in senso antiorario è possibile scorrere i menu verso sinistra o diminuire i valori selezionati e la resistenza.

B) Tramite pressione (ENTER). Premendo la manopola è possibile confermare il valore che si è selezionato tramite rotazione.

2. START/STOP

Avvia, interrompe e arresta l'allenamento. La pressione di questo pulsante durante l'allenamento attiva la modalità pausa. Premendo di nuovo il pulsante il programma riparte.

3. RESET

Pressione breve: torna al menu del programma. Pressione lunga: riavvia il contatore.

4. RECOVERY

Calcola la frequenza cardiaca di recupero.

DISPLAY

Finestra piccola: vengono visualizzati tempo (mm:ss), velocità (km/h o ml/h), RPM (giri al minuto), distanza (km o ml), consumo energetico (kcal), frequenza cardiaca (bpm) e potenza (W).

Finestra grande: avvia automaticamente la scansione tra i valori di tempo – velocità – RPM – distanza – energia – frequenza cardiaca – potenza ogni 6 secondi. È possibile interrompere la scansione premendo il pulsante ENTER. Premendo di nuovo ENTER è possibile cambiare le informazioni presenti nella finestra grande con quelle seguenti.

PROGRAMMI**1. PROGRAMMA MANUAL**

Impostare tempo di riferimento e/o distanza e/o consumo energetico e/o limite massimo della frequenza cardiaca mediante la MANOPOLA DI SELEZIONE.

Iniziare l'allenamento premendo il pulsante START/STOP.

Se sono stati impostati dei riferimenti, comincerà il conto alla rovescia. Regolare la resistenza con la MANOPOLA DI SELEZIONE.

2. PROGRAMMI PREIMPOSTATI

Il profilo dei programmi preimpostati viene visualizzato in due secondi mentre si scorrono i vari programmi. Selezionare il programma preimpostato desiderato mediante la MANOPOLA DI SELEZIONE.

Impostare tempo di allenamento e/o distanza di riferimento e/o energia e/o limite massimo della frequenza cardiaca mediante la MANOPOLA DI SELEZIONE.

Iniziare l'allenamento premendo il pulsante START/STOP.

Se sono stati impostati dei riferimenti, comincerà il conto alla rovescia. Durante l'allenamento è possibile regolare il carico mediante la MANOPOLA DI SELEZIONE.

3. PROGRAMMA USER

Viene visualizzato il profilo dell'ultimo programma usato. È possibile cominciare ad allenarsi con i riferimenti personali memorizzati premendo START/STOP o si può modificare il programma. La barra (1/20) del profilo del programma che ora può essere modificato inizia a lampeggiare. Se si desidera apportare

modifiche, modificare la barra lampeggiante e confermare. Inizierà a lampeggiare la barra successiva. Dopo l'ultima barra il display torna alla prima barra. Tenendo premuto il pulsante ENTER per 2 secondi si concludono le operazioni di modifica del profilo. Ora il programma è pronto con i dati personali di allenamento appena memorizzati (tempo, distanza, riferimenti energetici e limite della frequenza cardiaca). Se necessario, modificare i riferimenti. Iniziare l'allenamento premendo il pulsante START/STOP.

Se sono stati impostati dei riferimenti, comincerà il conto alla rovescia. Durante l'allenamento è possibile regolare il carico mediante la MANOPOLA DI SELEZIONE.

4. HEART RATE CONTROL

Selezionare l'età e confermare. Selezionare una delle quattro intensità di allenamento (55%, 75%, 90% o TARGET). Selezionando TARGET è possibile inserire una frequenza cardiaca di riferimento.

Iniziare l'allenamento premendo il pulsante START/STOP. Se sono stati impostati dei riferimenti, comincerà il conto alla rovescia.

Durante l'allenamento l'apparecchio regolerà automaticamente la resistenza, in modo da raggiungere e mantenere la frequenza cardiaca di riferimento.

5. WATT COSTANTE

Impostare potenza in watt e tempo di riferimento e/o distanza e/o consumo energetico e/o limite massimo della frequenza cardiaca mediante la MANOPOLA DI SELEZIONE.

Iniziare l'allenamento premendo il pulsante START/STOP.

Se sono stati impostati dei riferimenti, comincerà il conto alla rovescia. Durante l'allenamento l'apparecchio regolerà automaticamente la resistenza in base alla velocità di pedalata, in modo da raggiungere e mantenere la potenza di riferimento. È possibile modificare la potenza di riferimento mediante la MANOPOLA DI SELEZIONE.

6. RECOVERY

Iniziare il calcolo del recupero post allenamento premendo il pulsante RECOVERY. Il calcolo della frequenza cardiaca di recupero si può avviare solo se la misurazione della frequenza cardiaca

è attivata e tale valore è visualizzato sul display. La misurazione dura 60 secondi. Trascorsi 60 secondi il display mostra l'indice di recupero F1-F6 (F1 = miglior risultato). Per tornare al menu principale premere di nuovo il pulsante RECOVERY.

IMPOSTARE I DATI UTENTE

Dopo aver riavviato il contatore è possibile scegliere l'utente. Selezionare l'utente e confermare. I dati di riferimento per l'esercizio personale (tempo, distanza, energia, limite della frequenza cardiaca ed età) saranno memorizzati e richiamati come impostazione predefinita ogni volta che si seleziona l'utente.

ANNOTAZIONI AGGIUNTIVE

1. Per la velocità e la distanza è possibile scegliere il sistema metrico o quello inglese tramite l'interruttore KM/ML situato nella parte posteriore del contatore. Per applicare la modifica è necessario reinserire il cavo di alimentazione.
2. Se non ci si sta allenando e non viene premuto nessun pulsante, dopo quattro minuti il contatore passa alla modalità basso consumo. Viene visualizzata la temperatura della stanza.
3. L'allenamento si interrompe per un massimo di 4 minuti premendo il pulsante START/STOP. Premendo di nuovo il pulsante è possibile riprendere la sessione di allenamento interrotta usando i dati di allenamento precedenti.
4. L'inserimento dei valori di riferimento (tempo, distanza, energia, limite della frequenza cardiaca) è possibile solo in modalità STOP (non durante l'allenamento).
5. Questo apparecchio non può essere utilizzato per scopi terapeutici.
6. Il consumo energetico viene calcolato in base a valori medi ed è espresso in chilocalorie. Per convertire il valore in joule, usare la formula: $1 \text{ Kcal} = 4,187 \text{ KJ}$.
7. Se ci si sta allenando con la rilevazione della frequenza cardiaca (tramite fascia toracica o manopole), è possibile impostare il limite massimo di battiti. Quando il limite viene superato durante l'allenamento, il contatore emette un segnale acustico.
8. I programmi preimpostati sono suddivisi in 20 fasi. La durata di ogni fase dipende dal tempo impostato per l'intero allenamento. Se non è stato impostato il tempo, la durata di ogni fase sarà pari a 100 m. di distanza.

9. Se è attivo il conto alla rovescia per diversi riferimenti, viene emesso un segnale acustico e l'allenamento si interrompe ogni volta che uno dei valori raggiunge lo zero. È possibile riprendere l'allenamento premendo START/STOP.

10. Tenere presente che l'indice di recupero è calcolato in relazione alla frequenza cardiaca sia all'inizio che alla fine della misurazione.

11. Nel programma H.R.C. i valori di riferimento della frequenza cardiaca (55%, 75% e 90%) sono calcolati in forma di percentuale rispetto alla frequenza cardiaca massima per l'età impostata (formula: frequenza cardiaca massima = $220 - \text{età}$).

12. La regolazione automatica della resistenza durante il programma H.R.C. avviene verso l'alto ogni 30 secondi e verso il basso ogni 15 secondi, se necessario.

TRASPORTO ED IMMAGAZZINAGGIO

Cerca di seguire le seguenti istruzioni, per il trasporto e la rimozione dell'attrezzo, perché un sollevamento avvenuto nella maniera incorretta può provocarti danni alla schiena o può farti incorrere in altri incidenti.

È facile sportare la Cardio-Control grazie alle ruote integrate. Impugnate l'attrezzo dal davanti e spingetelo lungo il pavimento sulle ruote. Per prevenire mal funzionamenti lasciate l'attrezzo in un posto non umido e protetto dalla polvere. Lo spostamento dell'attrezzo può danneggiare alcuni tipi di pavimento, come per esempio il parquet. Raccomandiamo quindi di proteggere adeguatamente il pavimento.

Per prevenire eventuali difetti al funzionamento dell'attrezzo, devi conservarla, al riparo dalla polvere, in un posto asciutto, dove la temperatura sia quanto più possibile costante.

MANUTENZIONE

La Cardio-Control richiedono pochissima manutenzione. Comunque, di tanto in tanto, controlla che tutte le viti e i dadi siano stretti a sufficienza.

- Dopo ogni seduta di allenamento, asciugare sempre tutte le parti dell'attrezzo con un panno soffice e assorbente. Non fare uso di solventi.
- Non rimuovere mai l'involucro di protezione dell'attrezzo.

DISTURBI DURANTE L'USO

ATTENZIONE! Nonostante un continuo controllo della qualità, l'attrezzatura potrebbe talvolta presentare difetti e malfunzionamenti, causati da qualche singolo componente. Nella maggior parte dei casi, non c'è bisogno di mettersi a far riparare tutta l'attrezzatura, ma generalmente basta sostituire il pezzo o la parte difettosa.

Se nel tuo attrezzo compaiono delle funzioni che siano fuori dell'ordinario, contatta il rivenditore.

Se l'attrezzo non funziona bene durante l'uso o se si ha bisogno dei pezzi di ricambio, contatta il tuo rivenditore Brevshey Sport indicando che cosa ti tratta, le condizioni in cui lo usi, la data di acquisto, il modello e il numero di serie del tuo attrezzo. Si raccomanda di utilizzare sempre pezzi di ricambio originali.

DATI TECNICI

Lunghezza99 cm
 Larghezza55 cm
 Altezza134 cm
 Peso37 kg

Cardio-Control è un attrezzo in linea con gli direttive EMC dell'Unione Europea, riguardanti la compatibilità elettromagnetica (89/336/CEE). Pertanto il prodotto porta l'etichetta CE.

Cardio-Control è un attrezzo in linea con gli standards EN per la precisione e la sicurezza (EN-957).

A causa di una politica volta a un continuo sviluppo del prodotto, la Brevshey Sport si riserva il diritto di effettuare cambiamenti nelle caratteristiche degli attrezzi, senza darne relativo preavviso.

ATTENZIONE! La garanzia non copre danni derivanti da inosservanza, nel montaggio, regolazione e manutenzione, delle istruzioni fornite nella presente guida. Le istruzioni per montaggio, uso e manutenzione della tua attrezzatura, devono essere seguite con molta cura. Non rispondiamo di cambi o modifiche non espressamente approvate da Brevshey Sport.

Ti auguriamo di avere la gioia di fare tanti allenamenti, insieme al tuo nuovo amico Brevshey Sport!

INDICE

MONTAJE.....	37, 56
AJUSTES.....	37
USO.....	38
CONTADOR.....	39
TRANSPORTE Y ALMACENAMIENTO.....	41
MANTENIMIENTO.....	41
DEFECTOS DE FUNCIONAMIENTO.....	41
DATOS TECNICOS.....	42

INFORMACION Y PRECAUCIONES

Lea atentamente esta guía antes del montaje, uso o mantenimiento de su equipo de ejercicio. Mantenga esta guía en lugar seguro; le brindará hoy y en el futuro la información que necesite para usar y mantener su equipo. Siga siempre atentamente sus instrucciones. Por favor anótese que la garantía no cubre daños debidos a transportes o negligencias de ajuste o no seguir instrucciones de mantenimiento descritas en este manual.

OBSERVACIONES SOBRE SU SALUD

- Antes de empezar a hacer cualquier ejercicio, consulte con un médico y hágase un chequeo.
- Si durante el ejercicio experimenta náuseas, mareos u otros síntomas anormales, pare inmediatamente y consulte con un médico.
- Para evitar agujetas y tirones musculares empiece el ejercicio calentando y térmelo poco a poco (pedaleando lentamente a menos resistencia). No olvide hacer ejercicios de estiramiento después de usar la máquina.

OBSERVACIONES SOBRE EL EJERCICIO

- La máquina no se debe usar a la intemperie.
- Coloque la máquina sobre una superficie dura y horizontal.

- Compruebe si el lugar donde hace el ejercicio tiene buena ventilación. Para evitar resfriados, evite las corrientes en el lugar del ejercicio.

- En entrenamiento, la máquina tolera una temperatura ambiente de entre +10°C y +35°C. La máquina también puede almacenarse a temperaturas de 15°C a +40°C. La humedad relativa ambiente nunca debe exceder el 90 %.

OBSERVACIONES SOBRE LA MÁQUINA

- Es una buena idea colocar la máquina sobre una base protectora.
- Si se deja a los niños usar la máquina, primero se los debe enseñar a usarla bien y después se les debe vigilar, teniendo en cuenta el desarrollo físico y mental del niño y su personalidad. Compruebe que no haya animales domésticos cerca del aparato cuando lo desplace o cuando esté realizando un ejercicio.
- Antes de empezar a usar la máquina, compruebe si todos sus mecanismos funcionan bien. No use la máquina si observa alguna anomalía.
- Esta máquina sólo debe ser utilizada por una persona cada vez.
- Cuando haga ejercicio, lleve ropa y calzado adecuados.
- No se apoye nunca sobre el contador de usuario.
- Pulse las teclas con la punta del dedo, las uñas pueden dañar la membrana de las teclas.
- Mantenga las manos alejadas de las partes móviles de la máquina.
- Proteja el contador de la luz solar. Seque siempre la superficie del contador si caen unas gotas de transpiración sobre el contador.
- No intente hacer revisiones o ajustes de la máquina que no estén descritos en este Manual.
- El peso máximo de un usuario de esta máquina es de 135 kg.

- El equipo ha sido diseñado para un uso en casa. La garantía Bremshey Sport se aplica sólo a defectos o malfuncionamiento en un uso en casa (24 meses). Para consultas concernientes a la garantía diríjase a su propio distribuidor Bremshey Sport. Observe que las condiciones de la garantía pueden variar con arreglo al área de mercado.

PRECAUCIONES PARA UNIDADES CON CARGA ELÉCTRICA

Antes de conectar la máquina con la fuente de alimentación, asegúrese de que la tensión local coincida con la indicada en la placa del modelo: la máquina funciona a 230 V o 115 V (versión norteamericana). **NOTA:** La máquina debe estar conectada a un enchufe con toma de tierra. Cuando conecte la máquina con la fuente de alimentación, no utilice prolongadores. Apague siempre la alimentación y desenchufe la máquina de la toma eléctrica tras su utilización.

Para reducir el riesgo de quemaduras, incendio, descarga eléctrica o daños personales:

- Nunca deje la máquina sin supervisión cuando esté conectada. Desenchúfela de la toma cuando no esté en uso, antes de llevar a cabo las tareas de mantenimiento o reparación y antes de trasladarla.
- No ponga en funcionamiento la máquina debajo de una manta u otro material combustible. Podría producirse un aumento excesivo de calor y, por consiguiente, un incendio, descarga eléctrica o daños personales:
- No utilice la máquina ni la conecte con una fuente de alimentación si el cable de alimentación o la propia unidad presentan algún daño.
- No utilice ni conecte la máquina a una fuente de alimentación en exteriores o en lugares húmedos.
- Mantenga el cable de alimentación alejado de objetos calientes.
- No pase el cable de alimentación por debajo de una alfombra ni coloque objetos sobre éste. Asimismo, asegúrese de que el cable de alimentación no pasa por debajo del aparato.

- No modifique el cable entre el transformador y la unidad (por ejemplo, su longitud).

NOTA SOBRE EL MONTAJE DE LA MÁQUINA

En primer lugar, desempaquete la máquina. En el reverso de esta guía, encontrará instrucciones de montaje detalladas. Siga las instrucciones en el mismo orden en que se presentan.

Antes del montaje, compruebe que todos los elementos se encuentran en el paquete. Si faltase alguna pieza, póngase en contacto con su proveedor y proporciónese el modelo, el número de serie de la máquina y número de pieza de repuesto de la pieza ausente. En el reverso de esta guía encontrará una lista de piezas de repuesto. Los contenidos del kit de hardware están marcados con * en la lista de piezas de repuesto. Las direcciones derecha, izquierda, adelante y atrás se definen desde la posición de ejercicio. Conserve las herramientas de montaje, ya que podría volver a necesitarlas; por ejemplo, para ajustar la máquina. Tenga en cuenta que para el montaje de la máquina son necesarias dos personas.

El paquete incluye un saco de silicato para absorber la humedad durante el almacenamiento y transporte. Puede desecharlo una vez que haya abierto el paquete. Deje unos 100 cm de espacio alrededor de la máquina. También se recomienda desembalar el paquete y montar el producto en una superficie protegida.

AJUSTES

AJUSTE DEL SILLÍN

Póngalo a la altura precisa para Ud. La regla básica es que el arco del pie debe alcanzar el pedal en su punto más bajo con la pierna casi derecha. Fije el tornillo de traba. Sujetar el sillín con una mano y, con la otra, tirar del pomo de bloqueo hacia afuera de modo que el manillar pueda moverse libremente hacia arriba y hacia abajo. Una vez alcanzada la altura deseada, soltar el pomo y el sillín se bloquea en su lugar. Hacer girar el pomo de bloqueo en el sentido del reloj para ajustarla.

NOTA: Verifique siempre que la perilla de bloqueo esté adecuadamente ajustado antes de empezar el ejercicio.

Allentare la manopola di bloccaggio situata nella parte anteriore della base del manubrio e trovare l'angolo giusto a cui posizionare il manubrio. Stringere la manopola di bloccaggio. Il design del manubrio consente di esercitarsi sia in posizione eretta che con la parte superiore del corpo protesa in avanti. Ricordarsi comunque di tenere sempre la schiena dritta.

NOTA: Verifique siempre que la perilla de bloqueo esté adecuadamente ajustado antes de empezar el ejercicio.

MANILLAR

Afloje el pomo de bloqueo situado en la parte delantera del soporte del manillar y busque el ángulo exacto en el que desea colocar el manillar. Apriete el pomo de bloqueo. El diseño del manillar le permite realizar el ejercicio en una posición vertical o con el torso inclinado hacia delante. No obstante, recuerde que siempre debe mantener la espalda recta.

NOTA: Verifique siempre que la perilla de bloqueo esté adecuadamente ajustado antes de empezar el ejercicio.

AJUSTE DE LA INCLINACIÓN DEL CONTADOR

Establecer la inclinación del contador de modo que se ajuste a la altura y posición de ejercicio del usuario.

AJUSTE DE LAS PATAS DE SOPORTE

Si el equipo no tiene la suficiente estabilidad, ajustar los tornillos situados bajo las patas de soporte según sea necesario.

USO

Si el dispositivo no ofrece estabilidad, ajuste los tornillos de sujeción situados debajo del soporte posterior.

EJERCICIOS CON BREMSHEY SPORT

Cuando Ud. no ha hecho ejercicios físicos por largo tiempo, debe chequear su condición y consultar a un médico si tiene más de cuarenta años, su condición física es deficiente, tiene alguna enfermedad crónica o problemas de salud, o tiene heridas o problemas musculares. Las personas con enfermedades cardíacas, respiratorias, o cualquier otro factor de riesgo, deben terminantemente hacerse chequear la condición física antes de comenzar el

entrenamiento. Para ejercicios de resistencia, es bueno entrenar por lo menos tres veces por semana, pero recordando que para su salud siempre será mejor una vez por semana que ninguna. Los efectos del ejercicio se notarán después de unas pocas semanas. Si está en muy mal estado, comience con un trabajo de 20 minutos. Cuando su estado haya mejorado, puede ejercitarse entre 30 y 60 minutos, dependiendo de sus metas.

NIVEL DE EJERCICIO

Sea cual sea su objetivo, obtendrá los mejores resultados entrenando a un nivel de esfuerzo adecuado, para lo cual el mejor indicador es su propio ritmo cardíaco.

MEDICIÓN DEL RITMO CARDÍACO MEDIANTE LOS SENSORES DEL MANILLAR

El ritmo cardíaco se mide en las manos mediante los sensores ubicados en el manillar. Estos sensores miden los impulsos eléctricos generados por los latidos del corazón. La medición comienza al tocar simultáneamente ambos sensores del manillar. Para garantizar una medición fiable, la piel debe estar ligeramente húmeda y el contacto con los sensores debe ser continuo. Si la piel está demasiado seca o demasiado húmeda, la medición del ritmo cardíaco será menos fiable. Se debe intentar mantener el torso y las palmas relajados y quietos.

MEDIDA DEL RITMO CARDÍACO CON UN CINTURÓN

La medida del pulso es más fiable si se hace con un sensor telemétrico en el que los electrodos de un transmisor sujeto al pecho transmiten las pulsaciones del corazón al contador creando un campo electromagnético.

NOTA: Si Usted tiene incorporado un marcapasos, consulte a su médico antes de utilizar un monitor inalámbrico del ritmo cardíaco.

Si quiere medir su pulso de este modo durante su ejercicio, moje las ranuras de los electrodos del transmisor con saliva o agua. Si quiere ponerse el transmisor y la correa encima de una camiseta ligera, moje un poco la camiseta en los puntos donde los electrodos tocan la piel. Colóquese el transmisor justo debajo del pecho, con la correa elástica suficientemente apretada para que los electrodos estén en contacto con su piel, pero no tan fuerte que no pueda respirar normalmente. El transmisor envía automáticamente la lectura de las pulsaciones al contador hasta una distancia aproximada de 1 m.

Si la superficie de los electrodos no está mojada, no aparece en pantalla la medida del pulso. Si los electrodos se secan, hay que volver a mojarlos. Para que la medida del pulso sea más exacta, espere a que los electrodos se calienten. Si hay varios medidores telemétricos del pulso cerca unos de otros, la distancia mínima debe ser de 1,5 m. Del mismo modo, si sólo se usa un receptor con varios transmisores, sólo debe haber en el radio de alcance del transmisor una persona. El transmisor sólo se activa cuando se usa para medir. Sin embargo, el sudor y otras humedades pueden hacer que se active y gaste pila. Por tanto, es importante secar bien los electrodos después de usarlo.

A la hora de elegir la ropa adecuada para realizar los ejercicios tenga en cuenta que algunas fibras textiles (por ejemplo el poliéster o la poliamida) producen electricidad estática, lo que puede impedir una correcta medición del pulso. Tenga en cuenta que el teléfono móvil, el televisor y otros aparatos eléctricos forman a su alrededor un campo electromagnético que puede producir errores en la medición del pulso. Determine primero su ritmo cardíaco máximo, es decir, el ritmo que ya no aumenta al incrementarse el esfuerzo. Si Ud. no conoce su ritmo cardíaco máximo, use como guía la siguiente fórmula:

220 - EDAD

El máximo varía según las personas. El ritmo cardíaco máximo disminuye en promedio un punto por año. Si Ud. pertenece a alguno grupo de riesgo, solicite a un médico que le mida su ritmo cardíaco máximo. Hemos definido tres zonas diferentes de ritmo cardíaco para ayudarle en su entrenamiento dirigido.

PRINCIPIANTE: 50-60 % del ritmo cardíaco máximo

También recomendable para "vigilantes de peso", convalecientes y personas que no hayan hecho ejercicio físico durante largo tiempo. Se recomiendan tres sesiones semanales de por lo menos media hora cada una. El ejercicio regular mejora considerablemente las funciones respiratorias y circulatorias de los principiantes, quienes rápidamente sentirán el progreso.

ENTRENAMIENTO: 60-70 % del ritmo cardíaco máximo

Perfecto para una ejercitación de progreso y mantenimiento. Un esfuerzo regular y razonable desarrolla efectivamente el corazón y los pulmones entrenando un mínimo de 30 minutos al menos tres veces por semana. Para mejorar aún más su condición, aumente o la

frecuencia o el esfuerzo, pero no ambos al mismo tiempo.

ENTRENAMIENTO ACTIVO: 70-80 % del ritmo cardíaco máximo

El ejercicio de este nivel es adecuado sólo para quienes están en óptimo estado, y presupone trabajos de alto rendimiento.

CONTADOR

BOTONES

1. DIAL DE SELECCIÓN

El dial de selección se puede utilizar de dos modos:

A) Girándolo (+/-). Gire el dial en el sentido de las agujas del reloj para desplazarse hacia la derecha en los menús y para incrementar los valores o la resistencia. Gire el dial en el sentido contrario a las agujas del reloj para desplazarse hacia la izquierda en los menús y para disminuir los valores o la resistencia.

B) Pulsándolo (ENTER). Pulse el dial para aceptar la selección realizada al girarlo.

2. START/STOP

Inicia, detiene y finaliza el entrenamiento. Si pulsa este botón una vez durante el entrenamiento, se activa el modo de pausa. Si lo vuelve a pulsar, el programa comienza de nuevo.

3. RESET

Una única pulsación: vuelve al menú del programa. Pulsación prolongada: el contador se restablece.

4. RECOVERY

Calcula el índice de recuperación del ritmo cardíaco.

PANTALLA

Ventana pequeña: Se muestran los valores tiempo (mm:ss), velocidad (km/h o ml/h), RPM (revoluciones por minuto), distancia (km o ml), consumo energético (kcal), ritmo cardíaco (latidos por minuto) y esfuerzo (W).

Ventana grande: Inicia automáticamente cada seis segundos un barrido de los valores tiempo – velocidad – RPM – distancia – energía – ritmo cardíaco – esfuerzo. Es posible detener el barrido si se pulsa el botón ENTER. Si pulsa de nuevo este botón, podrá cambiar la información de la ventana grande por el siguiente valor.

PROGRAMAS

1. PROGRAMA MANUAL

Mediante el DIAL DE SELECCIÓN puede establecer el tiempo máximo, la distancia, el consumo energético y el límite máximo de ritmo cardíaco.

Comience el entrenamiento pulsando el botón START/STOP.

Los objetivos establecidos comenzarán la cuenta atrás. Ajuste la resistencia con el DIAL DE SELECCIÓN.

2. PROGRAMAS PRESTABLECIDOS

El perfil del programa preestablecido se muestra en dos segundos mientras se exploran los programas. Mediante el DIAL DE SELECCIÓN, seleccione el programa preestablecido que desee.

Mediante el DIAL DE SELECCIÓN puede establecer el tiempo de entrenamiento, la distancia máxima, el esfuerzo y el límite máximo de ritmo cardíaco.

Comience el entrenamiento pulsando el botón START/STOP.

Los objetivos establecidos comenzarán la cuenta atrás. A través del DIAL DE SELECCIÓN, es posible aumentar la carga durante el entrenamiento.

3. PROGRAMA USER

Se muestra el perfil del programa utilizado por última vez. Es posible comenzar el entrenamiento con los objetivos personales memorizados a través de START/STOP o modificar el programa. La barra del perfil del programa (1/20) que es posible modificar parpadea. Si desea modificar el programa, modifique la barra que parpadea y confirme su selección. La siguiente barra también parpadeará. Tras la última barra, la pantalla vuelve a la primera barra. Pulse el botón ENTER durante 2 segundos y finalice la modificación del perfil. En este momento, el programa está preparado con los datos de entrenamiento personales que ha memorizado (tiempo, distancia, consumo energético y límite de ritmo cardíaco). Si es necesario, modifique sus objetivos. Comience el entrenamiento pulsando el botón START/STOP.

Los objetivos establecidos comenzarán la cuenta atrás. A través del DIAL DE SELECCIÓN, es posible aumentar la carga durante el entrenamiento.

4. HEART RATE CONTROL

Seleccione su edad y confírmela. Seleccione entre las cuatro intensidades de entrenamiento existentes (55%, 75%, 90% o TARGET). Si selecciona TARGET, podrá introducir el ritmo cardíaco objetivo.

Comience el entrenamiento pulsando el botón START/STOP. Los objetivos establecidos comenzarán la cuenta atrás.

Durante el entrenamiento, el equipo ajustará automáticamente la resistencia, de manera que se alcanzará y mantendrá el objetivo de ritmo cardíaco.

5. CONSTANTE WATT

A través del DIAL DE SELECCIÓN, establezca el objetivo de esfuerzo en vatios y el tiempo objetivo, la distancia máxima, el consumo energético o el límite máximo de ritmo cardíaco.

Comience el entrenamiento pulsando el botón START/STOP.

Los objetivos establecidos comenzarán la cuenta atrás. Durante el entrenamiento, la máquina ajustará la resistencia según la velocidad de pedaleo con el objetivo de alcanzar y mantener el objetivo de nivel de esfuerzo. Es posible cambiar el nivel de esfuerzo a través del DIAL DE SELECCIÓN.

6. RECOVERY

Tras el entrenamiento, inicie el cálculo de recuperación a través del botón RECOVERY. El cálculo de recuperación del ritmo cardíaco sólo puede comenzar si la medición del ritmo cardíaco está activada y el valor de éste se muestra en la pantalla. La máquina tarda 60 segundos en efectuar la medición. Una vez transcurridos 60 segundos, la pantalla muestra el índice de recuperación F1-F6 (F1 = mejor resultado). Para volver al menú principal, vuelva a pulsar el botón RECOVERY.

ESTABLECIMIENTO DE DATOS DEL USUARIO

Es posible seleccionar a un usuario justo después de restablecer el contador. Seleccione al usuario y confirme su selección. Los datos del ejercicio personal (tiempo, distancia, consumo energético, límite de ritmo cardíaco y edad) se memorizan y se toman como valores predeterminados cada vez que se selecciona a ese usuario.

NOTAS ADICIONALES

1. Para mostrar la velocidad y la distancia, puede seleccionar unidades métricas o unidades inglesas a través del interruptor KM/ML situado en la parte posterior del contador. Para que el cambio surta efecto, es necesario volver a conectar el cable de alimentación.
2. Si no está entrenando y no se pulsa ningún botón, el contador cambia al modo de espera tras cuatro minutos. Se muestra la temperatura de la sala.
3. Si pulsa el botón START/STOP, el entrenamiento se detiene durante un máximo de cuatro minutos. Si vuelve a pulsar el botón, podrá continuar la sesión de entrenamiento detenida con la fecha de entrenamiento anterior.
4. Únicamente es posible establecer los objetivos de entrenamiento (hora, distancia, consumo energético, límite de ritmo cardíaco) en el modo STOP (no es posible hacerlo durante el entrenamiento).
5. Este equipo no puede utilizarse con fines terapéuticos.
6. El consumo de energía se calcula en función de los valores medios. Este consumo se muestra en kilocalorías. Para convertirlo a julios, utilice esta fórmula: 1 Kcal = 4,187 KJ.
7. Si está entrenando con medición del ritmo cardíaco (ya sea con correa en el pecho o a través del manillar), puede establecer el límite máximo del ritmo cardíaco. Si durante el entrenamiento se supera este límite, el contador emitirá pitidos de alarma.
8. Los programas preestablecidos se dividen en 20 pasos. La duración de un paso depende del tiempo establecido para el entrenamiento completo. Si el tiempo no se establece, la duración de un paso será de 100 m de distancia.
9. Si ha establecido objetivos para realizar la cuenta atrás, se emitirá una señal acústica y el entrenamiento se detendrá automáticamente cuando uno de ellos llegue a cero. Es posible reiniciar el entrenamiento pulsando START/STOP.
10. Tenga en cuenta que el índice de recuperación se proporciona en relación con la frecuencia del ritmo cardíaco tanto al inicio como al final de la medición.

11. En el programa H.R.C. los rangos de los objetivos de ritmo cardíaco (55%, 75% y 90%) se calculan como porcentaje a partir del ritmo cardíaco máximo previsto (fórmula de cálculo: ritmo cardíaco máximo = 220 - edad).

12. El ajuste automático de la resistencia durante el programa H.R.C. aumenta cada 30 segundos y disminuye cada 15 segundos, si es necesario.

TRANSPORTE Y ALMACENAMIENTO

Siga estas instrucciones al trasladar y mover la máquina, ya que levantarla incorrectamente puede forzarle la espalda u otros accidentes:

Incline la máquina hasta que quede apoyada únicamente en las ruedas del soporte. Para dejarla de nuevo, bájela manteniéndose siempre detrás del sillín. Al desplazar el aparato se pueden producir daños en algunos suelos, por ejemplo, en el parquet. Por esta razón el suelo deberá protegerse. Para evitar malfuncionamientos de la máquina, guárdela en sitio seco con la menor variación de temperatura posible y protegida del polvo.

MANTENIMIENTO

Los equipos Bremshey Sport requieren muy poco mantenimiento. Verifique sin embargo de tiempo en tiempo que todos los tornillos y tuercas estén ajustados.

- Después de ejercitar, seque siempre todas las piezas del equipo con un paño suave, absorbente. No use disolventes.
- Nunca quite la carcasa protectora del equipo.

DEFECTOS DE FUNCIONAMIENTO

Pese al continuo control de calidad que realizamos, el equipo puede presentar defectos o malfuncionamientos debidos a fallos en componentes individuales. En la mayoría de los casos no es necesario llevar todo el equipo a reparar, y generalmente es suficiente con reemplazar la parte defectuosa.

En el reverso de esta guía encontrará la lista de piezas. Utilice sólo piezas de repuesto mencionadas en la lista de piezas de repuesto.



En el caso que se produzcan funciones anormales en el equipo, póngase en contacto con el distribuidor del equipo.

DATOS TECNICOS

Largo99 cm
Ancho55 cm
Alto134 cm
Peso37 kg

Este producto Bremshey Sport cumple los requerimientos de las directivas EMC de la UE sobre compatibilidad electromagnética (89/336/EEC). Por lo tanto, este producto ostenta la etiqueta CE.

Este producto Bremshey Sport cumple los standards EN de precisión y seguridad (EN-957).

Debido a su política de continuo desarrollo de productos, Bremshey Sport se reserva el derecho de cambiar las especificaciones sin previo aviso.

NOTA: La garantía no cubre daños debidos a negligencias en los procedimientos de montaje, ajuste y mantenimiento descritos en esta guía. Deben seguirse estrictamente estas instrucciones en el montaje, uso y mantenimiento de su equipo. Cambios o modificaciones no expresamente aprobados por Bremshey Sport no están autorizados a los usuarios.

Le deseamos muchas agradables sesiones de entrenamiento con su nuevo compañero de entrenamiento Bremshey Sport.



INNEHÅLL

MONTERING.....	44, 56
JUSTERINGAR.....	44
ANVÄNDNING.....	45
MÅTAREN	46
TRANSPORT OCH FÖRVARING.....	48
UNDERHÅLL.....	48
STÖRNINGAR VID ANVÄNDNING.....	48
TEKNISKA DATA.....	48

BRUKSANVISNING

Läs noga igenom denna handbok innan du monterar upp, använder eller reparerar ditt nya träningsredskap. Spara denna handbok; den innehåller information som du behöver nu och i framtiden för att använda och underhålla ditt redskap. Följ alltid dessa instruktioner noggrant. Observera att garantin inte täcker skador uppkomna genom försumlighet av inställningen och justeringar eller underlåtenhet att följa givna anvisningarna.

BEAKTANSVÄRT RÖRANDE HÄLSAN

- Konsultera din läkare innan du inleder ditt träningsprogram.
- Om du känner dig illamående, får svindel eller uppvisar andra onormala symtom under träningen, skall du omedelbart avbryta träningen och vända dig till din läkare.
- Värm upp före varje träningspass (långsam trampning med lågt motstånd) och avsluta med avslappningsövningar och muskelsträckningar för att undvika träningsvärk.

BEAKTANSVÄRT RÖRANDE TRÄNINGSMILJÖN

- Redskapet får inte användas utomhus.
- Placera redskapet på ett så plant underlag som möjligt.
- Kontrollera att träningslokalen har en god ventilation. Undvik dock träning i dragiga lokaler, eftersom det kan leda till förkylning.
- Redskapet tål vid träning en omgivning från +10°C till +35°C. Redskapet kan

lagras vid temperaturer mellan -15°C och +40°C. Luftfuktigheten i tränings- eller upplagringsomgivningen får aldrig överskrida 90 %.

BEAKTANSVÄRT RÖRANDE REDSKAPETS ANVÄNDNING

- Skydda mätaren mot solljus och torka alltid ytan av ytan på mätaren om du ser svett droppar på den.
- Föräldrar och andra personer som har ansvar för barn skall beakta, att barnens naturliga lekbehov och experimentlust kan leda till situationer, för vilka redskapet inte är avsett. Om barn får använda redskapet, måste föräldrarna eller andra ansvariga personer beakta barnens psykiska och fysiska utveckling och framför allt barnens natur. Barn skall erhålla handledning i redskapets användning. Se till att det inte finns några husdjur i närheten av redskapet när du flyttar eller använder det.
- Kontrollera att redskapet är i skick innan du inleder träningen. Använd aldrig ett redskap som är sönder.
- Luta dig aldrig mot mätaren.
- Tryck på tangenterna med fingertopparna; naglar kan skada tangentmembranet.
- Använd aldrig redskapet, när sidokåporna inte är på plats.
- För undvikande av skador rekommenderas att redskapet placeras på ett skyddat underlag.
- Redskapet får endast användas av en person åt gången.
- Använd lämpliga kläder och skor när du tränar.
- Utför endast de service- och justeringsåtgärder som beskrivs i denna bruksanvisning. Givna anvisningar bör följas.
- Redskapet får inte användas av personer som väger över 135 kg.
- Redskapet är avsett för träning i hemmet! Bremshey Sports garanti gäller fel eller brister som uppkommer vid användning i hemmet (24 månader). Vid eventuella garantifrågor är det best att kontakta Bremshey Sports återförsäljare. Observera

att garantievillkoren kan skilja i olika länder. Observera även att garantin inte täcker skador uppkomna genom försumlighet av inställningen och justeringar eller underlåtenhet att följa givna anvisningar.

OBSERVERA OM SÄKERHET FÖR ENHETER MED ELEKTRISK STRÖM

Kontrollera att den lokala spänningen motsvarar den som anges på typ plattan innan redskapet ansluts till en strömkälla. Redskapet drivs med antingen 230 V eller 115 V (Nordamerikansk version). OBS! Redskapet måste anslutas till ett jordat vägguttag. Använd inte förlängningsladd när redskapet ansluts till strömkällan. Stäng alltid av strömmen och drag ur kontakten från eluttaget omedelbart efter användning!

För att minska risken för brännskada, eld, elektrisk stöt eller skada på personer:

- Redskapet får aldrig lämnas utan uppsikt när det är inkopplat. Koppla ur redskapet från strömuttaget när det inte används, innan underhåll eller reparation utförs och innan enheten flyttas.
- Använd inte redskapet under en filt eller annat lättantändligt material. Överdriven värme kan uppstå och orsaka eld, elektrisk stöt eller skada på personer.
- Anslut inte redskapet till en strömkälla eller använd utrustningen om det finns någon skada på nätsladden eller på själva enheten.
- Anslut inte redskapet till en strömkälla eller använd utrustning utomhus eller på fuktiga platser.
- Håll nätsladden borta från varma föremål.
- Placera inte nätsladden under en matta eller placera något föremål på kabeln. Kontrollera även att nätsladden inte hamnar under utrustningen.
- Förändra inte (till exempel förläng) sladden mellan transformator och enheten.

OBSERVERA OM MONTERING AV REDSKAPET

Börja med att packa upp redskapet. Detaljerade monteringsinstruktioner finns i slutet av den här guiden. Följ instruktionerna i angiven ordning.

Kontrollera innehållet i paketet innan montering. Om en del saknas, kontakta din återförsäljare och uppge modell, serienummer på utrustningen och reservdelsnummer för den saknade delen. Det finns en reservdelsförteckning i slutet av denna bruksanvisning. Hårdvarusatsens innehåll har markerats med * i reservdelslistan. Riktningarna vänster, höger, fram och bak används så som man uppfattar dem när man sitter i träningsställning. Spara monteringsverktygen, eftersom du kan komma att behöva dem t.ex. för justering av redskapet. Observera att två personer behövs för monteringen.

I förpackningen finns det även en silikatpåse som absorberar fukt under lagring och transport. Släng påsen när du packat upp redskapet. Lämna minst 100 cm fritt utrymme runt redskapet. Vi rekommenderar även att förpackningen öppnas och produkten monteras samman på ett skyddande underlag.

JUSTERINGAR

JUSTERING AV SADELN

I regel justerar man sadelhöjden så att benet är nästan rakt när man håller pedalen mitt under foten i det lägsta läget. Justera sadelhöjden genom att lossa på fästskruven för sadelfästet och föra sadeln till lämplig höjd: håll fast sätet med en hand och dra med den andra handen låsratten utåt så att det går att skjuta styret uppåt och nedåt. När höjden är lämplig, släpp reglaget så låses sadeln på den höjden. Vrid reglaget medurs för att dra åt.

OBS! Kontrollera alltid att reglaget är åtdraget innan du börjar träna!

För justering av den horisontella sadelplaceringen fram och tillbaka, lossa låsvredet under sätet genom att det vrids medurs. Justera sadeln till önskad placering och spänn låsvredet genom att vrida det moturs.

OBS! Kontrollera alltid att reglaget är åtdraget innan du börjar träna!

HANDSTÖDEN

Lossa låsvredet på framsidan av styret och hitta den rätta vinkeln för att positionera styret. Dra åt låsvredet. Styrets utformning gör så att du kan träna antingen i upprätt ställning eller med överdelen av kroppen lutad framåt. Kom dock ihåg, att alltid hålla ryggen rak.

OBS! Kontrollera alltid att reglaget är åtdraget innan du börjar träna!

JUSTERING AV MÄTARENS LUTNING

Ställ in mätarens lutning så att den passar din höjd och träningsposition.

JUSTERING AV STÖDFÖTTERNA

Om utrustningen inte är stabil justerar du justeringsskruvarna under stödfötterna.

ANVÄNDNING

Om enheten inte är stabil kan du justera skruvarna under det bakre stödbenet.

ATT TRÄNA MED BREMSHEY SPORT

Motionscykling är en utmärkt aerobisk motion. Grundidén är att motionen skall vara förhållandevis lätt, men räckta länge. Aerobisk motion bygger på en förbättring av den maximala syreupptagningsförmågan, som förbättrar uthålligheten och konditionen. Kroppens förmåga att använda fett som bränsle är direkt beroende av dess förmåga att transportera syre. Aerobisk motion är framför allt angenäm. Du skall bli svettig, men du får inte bli andfådd. När du trampar skall du kunna prata, och inte bara flåsa. Du borde motionera minst tre gånger i veckan à 30 minuter. Detta ger dig en god baskondition. För att du skall kunna upprätthålla baskonditionen bör du motionera minst ett par gånger i veckan. När du har uppnått din baskondition, kan den lätt förbättras genom att du ökar antalet träningspass.

Det lönar sig att börja långsamt med låg tramphastighet och litet motstånd. En alltför hög belastning kan hos överviktiga personer belasta hjärtat och blodcirkulationen för mycket. Itakt med att konditionen förbättras, kan du småningom öka motståndet och tramphastigheten. Effekten kan du kontrollera med hjälp av pulsen.

PULS

Oberoende av vilken din målsättning är när du bästa resultat genom att träna på rätt ansträngningsnivå och det bästa måttet på det är din puls.

PULSMÄTARE MED STYRSTÅNGSENSORER

Pulsen mäts i händerna med hjälp av sensorerna på styrstången. Sensorerna mäter de elektriska impulserna från hjärtslagen. Mätningen startas när båda styrstångssensorerna vidrörs samtidigt. För att pulsmätningen ska vara rättvisande måste huden vara något fuktig och i ständig kontakt med sensorerna. Om huden är för torr eller för våt blir pulsmätningen mindre tillförlitlig. Försök hålla överkroppen och handflatorna avslappnade och stilla.

TRÅDLÖS PULSMÄTNING

Trådlös pulsmätning, där elektroderna i en sändare på bröstkorgen överför hjärtats slag med hjälp av ett elektromagnetiskt fält till mätaren, har visat sig vara det tillförlitligaste sättet att mäta pulsen.

VIKTIGT! I det fall du använder pacemaker – hör med din läkare om du kan använda trådlös pulsmätning.

För trådlös mätning av pulsen under träningen, skall du noggrant fukta de räfflade elektroderna i elektrodväskan med vatten eller saliv. Om du använder pulssändaren ovanpå skjortan, skall skjortan fuktas under elektroderna. Spänn det elastiska väskan med sändaren kring bröstet under bröstmusklerna, så att elektroderna hela tiden har hudkontakt under träningen. Väskan får dock inte vara så spännt att andningen försvåras. Pulsvärdet från pulssändaren överförs automatiskt till mottagaren upp till ett avstånd på 1 m. Om elektrodytorna inte är fuktiga, visar mätaren inget pulsvärde. Elektroderna skall då fuktas på nytt. Tänk också på att elektroderna skall värmas upp på huden till kroppstemperatur för att ge tillförlitliga resultat. Om det finns flera apparater för trådlös pulsmätning bredvid varandra, skall avståndet mellan dem vara minst 1,5 m. Om det bara finns en mottagare, men flera sändare, får endast en person med sändare befinna sig inom räckvidd för mottagaren under mätningen. När du tar av dig elektrodväskan, kopplas sändaren bort. Fukt kan dock hålla sändaren aktiverad, vilket förkortar batteriets livslängd. Därför är det viktigt att sändaren omsorgsfullt torkas av efter varje användning. Observera när du väljer kläder att vissa fibrer i tyget (t.ex. polyester, polyamid) genererar statisk elektricitet och

kan därför hindra en tillförlitlig pulsmätning. Observera att mobiltelefoner, tv-apparater och andra elektriska anordningar genererar ett elektromagnetiskt fält omkring sig och kan därför ge upphov till problem i pulsmätningen. Ta först reda på din maximipuls, dvs. på vilken nivå pulsen inte längre stiger trots att ansträngningen höjs. Om du inte känner till din maximipuls, kan du använda följande formeln som riktgivare:

220-ÅLDER

Maximipulsen varierar från person till person. Maximipulsen går i medeltal ner med en enhet per år. Om du hör till någon av de riskgrupper som nämndes ovan, be en läkare mäta din maximipuls åt dig. Vi har definierat tre olika pulsområden för att hjälpa dig när du sätter upp mål för träningen.

NYBÖRJARE: 50-60 % av maximipulsen

Denna nivå lämpar sig också för viktväktare, rehabiliteringspatienter och personer som inte har tränat på länge. Tre träningspass i veckan på minst en halvtimme var rekommenderas. Regelbunden träning förbättrar andnings- och cirkulationskapaciteten hos nybörjare betydligt och du kommer snabbt att märka förbättringen.

MOTIONÄR: 60-70 % av maximipulsen

Denna nivå är perfekt för att förbättra och upprätthålla konditionen. Även en måttlig ansträngning utvecklar hjärtat och lungorna effektivt, om du tränar i minst 30 minuter åtminstone tre gånger i veckan. För att ytterligare förbättra din kondition, höj antingen träningsfrekvensen eller ansträngningen, men inte båda på samma gång!

AKTIV IDROTTARE: 70-80 % av maximipulsen

Träning på denna nivå lämpar sig bara för personer med mycket bra kondition och bör föregås av träning för lång uthållighet.

MÄTAREN

KNAPPAR

1. FUNKTIONSVÄLJARE

Du kan använda funktionsväljaren på två sätt:

A) Vrid ratten (+ / -). När du vrider ratten medsols rullar du igenom menyerna åt höger och ökar värden eller motstånd. När du vrider ratten motsols rullar du igenom menyerna åt vänster och minskar värden eller motstånd.

B) Tryck på ratten (ENTER). När du trycker på ratten bekräftar du inställningen du gjorde genom att vrida ratten.

2. START/STOP

Starta, pausa och stoppa träningspasset. När du trycker på den här knappen en gång under träningspasset aktiveras pausfunktionen. Programmet startas igen när du trycker på knappen på nytt.

3. RESET

En tryckning: återgå till programmenyn. Lång tryckning: återstartar mätaren.

4. RECOVERY

Beräknar återhämtningsindex för din pulsnivå.

DISPLAY

Litet fönster. Här visas tid (mm.ss), hastighet (km/h eller ml/h), RPM (pedalvarv per min), avstånd (km eller ml), energiförbrukning (kcal), pulsnivå (bpm) och effekt (W).

Stort fönster. Startar automatisk skanning mellan värdena för tid – hastighet – RPM – avstånd – energi – pulsnivå – effekt var 6:e sekund. Skanningen kan stoppas genom att ENTER-knappen trycks in. Genom att trycka in ENTER kan du ändra informationen i det stora fönstret till nästa informationspunkt.

PROGRAM

1. MANUAL PROGRAM

Ställ in måltiden och/eller avståndet och/eller energiförbrukningen och/eller den övre pulsnivån med FUNKTIONSVÄLJAREN

Starta träningen genom att trycka på START/STOP-knappen.

Om du har ställt in målet/målen, kommer målet/målen att börja räkna ner. Justera motståndet med FUNKTIONSVÄLJAREN.

2. INSTÄLLNING AV PROGRAM

Inställd programprofil visas under två sekunder medan programsökning sker. Välj önskat program med FUNKTIONSVÄLJAREN.

Ställ in träningstid och/eller önskat avstånd och/eller energiförbrukning och/eller den övre puls-nivån med FUNKTIONSVÄLJAREN

Starta träningen genom att trycka på START/STOP-knappen.

Om du har ställt in målet/målen, kommer målet/målen att börja räkna ner. Under träning kan du gradera belastningen med FUNKTIONSVÄLJAREN.

3. USER PROGRAM

Den programprofil som användes senast visas. Du kan antingen starta träningen med ditt personligt lagrade träningsmål genom att trycka på START/STOP eller också kan du ändra programmet. Den programprofilsbalk (1/20) som nu kan ändras blinkar. Om du vill ändra, ändrar du balken som blinkar och bekräftar. Nästa balk kommer att blinka. Efter den sista balken kommer displayen att gå tillbaka till den första balken. Genom att hålla ENTER-knappen intryckt under 2 sekunder kan du avsluta profiländringen. Programmet är nu färdigt med dina lagrade personliga träningsdata (tid, avstånd, energimål och puls-nivågräns). Ändra dina mål vid behov. Starta träningen genom att trycka på START/STOP knappen.

Om du har ställt in målet/målen, kommer målet/målen att börja räkna ner. Under träning kan du gradera belastningen med FUNKTIONSVÄLJAREN

4. HEART RATE CONTROL

Välj din ålder och bekräfta. Välj mellan fyra olika träningsintensiteter (55%, 75%, 90% eller TARGET). Genom att välja TARGET kan du mata in önskad puls-nivå.

Starta träningen genom att trycka på START/STOP knappen. Om du har ställt in målet/målen, kommer målet/målen att börja räkna ner.

Under träning kommer redskapet automatiskt att justera motståndet så att du kommer att uppnå och behålla din önskade puls-nivå.

5. JÄMN WATT

Ställ in önskad effekt i watt och önskad tid och/eller avstånd och/eller energiförbrukning och/eller den övre puls-nivån med FUNKTIONSVÄLJAREN.

Starta träningen genom att trycka på START/STOP-knappen.

Om du har ställt in målet/målen, kommer målet/målen att börja räkna ner. Under träning kommer redskapet automatiskt att justera motståndet beroende på din tramphastighet, så att du kommer att nå och bibehålla den önskade effektnivån. Du kan ändra den önskade effekten med FUNKTIONSVÄLJAREN.

6. RECOVERY

Starta återhämtningsberäkningen efter träning genom att trycka på RECOVERY-knappen. Beräkning av återhämtningen av puls-nivån kan startas endast om puls-nivåmätaren är aktiverad och puls-nivåvärdet visas på displayen. Mätningen tar 60 sekunder. Efter 60 sekunder visas ditt återhämtningsindex, F1-F6 (F1 = bästa resultat), på displayen. För att gå tillbaka till huvudmenyn trycker du på RECOVERY-knappen igen.

INSTÄLLNING ANVÄNDARDATA

Direkt efter återstart av mätaren kan du välja användare. Välj användare och bekräfta. Personliga träningsdata (tid, avstånd, energi, puls-nivå och ålder) kommer att lagras och återkallas som standardvärde varje gång användaren väljs.

YTTERLIGARE NOTERINGAR

1. För hastighet och avstånd kan du välja antingen millimeter eller engelska enheter genom att använda KM/ML-brytaren som är placerad på det bakre skyddet på mätaren. Nätsladden måste sättas i på nytt för att ändringen skall aktiveras.
2. Om du inte tränar och knapparna inte trycks in kommer mätaren att koppla över till viloläge efter cirka fyra minuter. Lufttemperaturen visas.
3. Träningen pausas under maximalt 4 minuter genom att START/STOP-knappen trycks in. Trycker du på knappen igen får du fortsätta det pausade träningspasset med samma träningsdata som tidigare.
4. Inmatning av träningsmål (tid, avstånd, energi, puls-nivå) kan endast ske i STOP-funktion (inte under träning).
5. Det här redskapet kan inte användas för terapeutiska ändamål.
6. Energiförbrukning beräknas enligt ett genomsnittsvärde. Energiförbrukningen visas i kilokalorier. För att omvandla detta till joule används formeln: 1 Kcal = 4.187 KJ.

7. Om du tränar med pulsmätare (antingen bröstbälte eller handledspuls) kan du ställa in maximal pulsnivå. När gränsen har nåtts kommer träningsmätaren att avge ett pipande larm.

8. Programinställningen är uppdelad i 20 steg. Längden på ett steg beror på den tid som ställts in för hela träningen. Om tiden inte ställs in kommer längden på ett steg att motsvara 100 m i avstånd.

9. Om du har ställt in ett mål att räkna ner kommer en signal att ljuda och träningen att avslutas när något av målen når noll. Du kan starta om träningen genom att trycka på START/STOP.

10. Observera att återhämtningsindex står i relation till pulsfrekvensen både i början och i slutet av mätningen.

11. I H.R.C beräknas området i målpulsprogrammet (55%, 75% och 90%) som procent från den i din ålder förutspådda maximala pulsnivån (beräkningsformel: maximal pulsnivå = 220 - ålder).

12. Automatisk justering av motståndet under H.R.C program, sker uppåt var 30:e sekund och vid behov nedåt var 15:e sekund.

TRANSPORT OCH FÖRVARING

Vänligen följ nedanstående instruktioner när du vill flytta på redskapet, eftersom du med fellyft kan sträcka ryggen eller löpa risk för andra skador:

Redskapet är lätt att förflytta tack vare de inbyggda transporttrullarna. Ställ dig på framsidan av redskapet, fatta tag i handtagen och luta det framåt. Redskapet kan nu rullas bort. När man flyttar på redskapet kan vissa golvmaterial ta skada, t.ex. parkettgolv. Underlaget bör i sådana fall skyddas.

För att försäkra sig om att redskapet fungerar felfritt bör man förvara det på ett torrt och dammfritt ställe med så jämn temperatur som möjligt.

UNDERHÅLL

Modellen Cardio-Control kräver så gott som inget underhåll. Kontrollera dock ibland att alla skruvar och muttrar är åtdragna.

- Vänligen rengör redskapet efter träningen med en mjuk absorberande duk. Använd inga lösningsmedel.
- Ta aldrig bort skyddskåporna på redskapet!

STÖRNINGAR VID ANVÄNDNING

OBS! Trots kontinuerlig kvalitetskontroll kan fel eller funktionsstörningar som beror på någon enskild komponent förekomma. Därför är det onödigt att hela redskapet skickas på reparation, eftersom det för det mesta räcker med att aktuell komponent byts.

Om ditt redskap fungerar på ett sätt som avviker från det normala, kontakta din försäljare. Uppge alltid redskapets modell och serienummer. Beskriv problemet, hur redskapet använts, och uppge inköpsdagen.

Kontakta din försäljare om du behöver reservdelar. Uppge alltid redskapets modell, serienummer och numret på reservdelar; du hittar en lista på reservdelar i slutet på den här handboken. Till apparaten får endast delar från reservdelslistan användas.

TEKNISKA DATA

Längd99 cm
Bredd55 cm
Höjd134 cm
Vikt37 kg

Cardio Control uppfyller kraven i EU:s EMC-direktiv gällande elektromagnetisk kompatibilitet (89/336/EEC). Därför är denna produkt CE-märkt.

Cardio Control uppfyller EN-standarden för precision och säkerhet (EN-957).

På grund av vår policy för kontinuerlig produktutveckling förbehåller vi, Bremshey Sport, oss rätten till ändringar.

OBS! Garantin gäller inte skador som uppkommit pga. underlåtenhet att iaktta de instruktioner för montering, justering och underhåll som beskrivits här. Instruktionerna måste följas noggrant vid montering, användning och underhåll av redskapet. Redskapet som modifieras eller förändras på ett sätt som inte är godkänt av Bremshey Sport får inte användas.

Vi önskar dig mycket nöje i träningen med din nya träningspartner från Bremshey Sport.

SISÄLLYSLUETTELO

ASENNUS.....	50, 56
SÄÄDÖT.....	50
KÄYTTÖ.....	51
MITTARI.....	52
KULJETUS JA SÄILYTYS.....	54
HUOLTO.....	54
KÄYTTÖHÄIRIÖT.....	54
TEKNISET TIEDOT.....	54

HUOMAUTUKSET JA VAROITUKSET

Tämä ohjekirja on tärkeä osa kuntolaitettasi: perehdy tähän oppaaseen huolellisesti ennen kuin asennat, käytät tai huollat kuntolaitettasi. Sinun on syytä myös säilyttää tämä opas, sillä se on jatkossakin oppaasi niin kuntolaitteesi tehokkaaseen käyttöön kuin huoltoonkin. Muista aina noudattaa tämän oppaan ohjeita.

TERVEYDESTÄSI

- Ennen harjoittelun aloittamista käy varmistuttamassa terveydentilasi lääkärillä.
- Jos harjoittelun aikana tunnet pahoinvointia, huimausta tai muita epänormaaleja oireita, keskeytä harjoittelu välittömästi ja ota yhteys lääkäriin.
- Estääksesi lihasten venähtämisen tai kipeytymisen aloita ja päätä jokainen harjoituskerta verryttelyllä (hidasta poljentaa alhaisella vastuksella). Muista myös venytellä harjoittelun päätteeksi.

HARJOITTELU- YMPÄRISTÖSTÄ

- Laitetta saa käyttää vain sisätiloissa.
- Sijoita laite kovalle ja mahdollisimman tasaiselle alustalle. Aseta laite myös lattiaa suojaavalle alustalle.
- Huolehdi, että harjoitteluympäristö on riittävän hyvin ilmastoitu. Vilustumisen estämiseksi vältä kuitenkin harjoittelua vetoisissa tiloissa.
- Harjoitteluolosuhteissa laite kestää lämpötiloja +10 asteesta +35 asteeseen. Varastoitaessa laite kestää lämpötiloja -15 asteesta +40 asteeseen. Missään

tapauksessa ilman kosteus ei saa ylittää 90 %.

LAITTEEN KÄYTÖSTÄ

- Mikäli lasten annetaan käyttää laitetta, vanhempien tai muiden vastuullisten tulee ottaa huomioon lasten sekä henkinen että fyysinen kehitys ja ennen kaikkea luonne. Lapsia tulee valvoa ja opastaa laitteen oikeassa käytössä. Huolehdi myös, etteivät lemmikkieläimet ole laitteen lähellä laitetta siirrettäessä tai harjoittelun aikana.
- Varmista ennen harjoittelun aloittamista, että laite on kaikin puolin kunnossa. Älä koskaan käytä viallista laitetta.
- Vain yksi henkilö kerrallaan saa harjoitella laitteella.
- Käytä harjoittelun aikana asianmukaisia vaatteita ja kenkiä.
- Älä milloinkaan nojaa laitteen mittariin!
- Paina näppäimiä sormenpäällä; kynnet voivat vaurioittaa näppäinkalvoa.
- Älä käytä laitetta mikäli laitteen suojakotelot eivät ole paikallaan.
- Suojaa mittari auringonvalolta ja kuivaa mittarin pinta aina, mikäli sen päälle on tippunut hikivettä.
- Älä yritä tehdä laitteelle muita kuin tässä ohjekirjassa kuvattuja säätöjä tai huoltotoimenpiteitä.
- Laitteen ehdoton enimmäiskäyttäjäpaino on 135 kg.
- Laite on sallittu kotikäyttöön. Kotikäytössä Bremshey Sport-laitteiden takuu-aika on 24 kuukautta. Tarkempia tietoja kuntolaitteesi takuusta saat Bremshey Sport-laitteiden maahantuojalta. Huomaa, että takuuehdot voivat vaihdella maittain. Huomaa myös, ettei takuu korvaa mitään vahinkoja, jotka ovat aiheutuneet tässä ohjekirjassa mainittujen asennus-, säätö- ja huoltoohjeiden laiminlyönneistä.

SÄHKÖ-

TURVALLISUUDESTA

Ennen laitteen liittämistä sähköpistokseeseen, tarkista, että paikallinen jännite vastaa laitteen tyyppikilvessä ilmoitettua jännitettä; laite toimii joko 230 V tai 115 V (North American

version) jännitteellä. HUOMAA! Laite tulee ehdottomasti yhdistää maadoitettuun pistorasiaan. Älä käytä jatkettua johtoa laitteesi liittämiseksi sähköpistokkeeseen. Muista aina sulkea virta ja irroittaa laite sähköverkosta välittömästi käytön jälkeen!

Vaaratilanteiden ja vammojen välttämiseksi toimi aina seuraavalla tavalla:

- Laitetta ei koskaan tule jättää ilman valvontaa, kun se on liitetty sähköpistokkeeseen. Irroita laite aina sähköpistokkeesta, kun se ei ole käytössä, ennen huolto- ja korjaustoimenpiteitä ja laitteen siirtämistä.
- Älä koskaan käytä laitetta peitteen tai muun lämpöä keräävän tai palavan materiaalin alla. Yliämpeneminen saattaa johtaa syttymiseen, sähköiskuun tai muuhun vahinkoon.
- Älä koskaan yhdistä laitetta sähköpistokkeeseen tai käytä laitetta, mikäli kuntolaitteessa itsessään tai sen virtajohtossa on havaittavissa vahingoittumista.
- Älä koskaan käytä tai liitä laitetta sähköpistokkeeseen kosteissa tiloissa, ulkotiloissa tai pölyisissä olosuhteissa.
- Pidä virtajohto aina erillään kuumista kappaleista.
- Älä reititä virtajohtoa maton alle tai aseta mitään esineitä johdon päälle. Varmista myös, ettei johto jää laitteen alle.
- Älä koskaan muuta (esimerkiksi pidennä) virtajohtoa muuntajan ja laitteen välillä.

LAITTEEN ASENNUKSESTA

Aloita asennus avaamalla pakkaus. Yksityiskohtaiset asennusohjeet löydät tämän käyttöohjeen takaosasta. Noudata asennusohjeita annetussa järjestyksessä.

Tarkista ennen asennusta, että pakkaus sisältää kaikki asennusohjeessa mainitut osat. Mikäli joku osista puuttuu, selvitä laitteesi malli, sarjanumero ja puuttuvan osan varaanimike. (Varaosaluettelon löydät tämän käyttöohjeen takaosasta.) Ota sitten ystävällisesti yhteyttä kauppiaseen, jolta olet laitteesi hankkinut. Asennuspakkauksessa olevat osat on merkitty varaosaluetteloon * merkillä.

Suunnat vasen, oikea, etu ja taka on määritelty harjoitteluasennosta katsottuna. Säilytä työkalut, sillä saatat tarvita niitä myöhemmin, kun esimerkiksi säädät kuntolaitettasi. Huomaa, että laitteen asentamiseen tarvitaan kaksi ihmistä.

Pakkaus sisältää silikaattipussin ilman kosteuden imemiseksi varastoinnin ja kuljetuksen aikana. Ole hyvä ja heitä pussi pois, kun olet asentanut laitteesi. Laitetta asentaessasi tarvitset vähintään 100 cm vapaata tilaa laitteen ympärille kaikkissa suunnissa. Avaa pakkaus ja asenna laite suojatulla alustalla.

SÄILYTÄ TÄMÄ KÄYTTÖOHJE!

SÄÄDÖT

ISTUINKORKEUDEN JA -KALTEVUUDEN SÄÄTÖ

Säädä istuinkorkeus siten, että kun poljin on ala-asennossa ja jalkasi on suorana, kantapäsi ulottuu polkimelle. Käännä säätönappia ensin kierros vastapäivään. Pidä toisella kädellä istuimesta kiinni ja vedä toisella kädellä säätönupin takana olevaa avausvipua ulospäin niin, että istuinputki pääsee vapaasti liikkumaan ylös- ja alaspäin. Irrota ote vivusta kun istuinkorkeus on sopiva. Istuin loksahaa paikalleen. Kiristä säätönappi myötäpäivään.

TÄRKEÄÄ! Varmista aina ennen harjoittelun aloittamista, että säätönappi on kunnolla kiristetty!

Voit säätää satulaa horisontaalisuunnassa vapauttamalla istuimen alla olevan lukitusnupin. Aseta istuin haluamaasi kohtaan ja kiristä lukitusnappi.

TÄRKEÄÄ! Varmista aina ennen harjoittelun aloittamista, että säätönappi on kunnolla kiristetty!

KÄSITUEN SÄÄTÖ

Löysää käsituen säätönappia käsitukiputken etupuolella ja säädä käsituen asento sellaiseksi, että polkemisasento tuntuu miellyttävältä. Kiristä säätönappi tiukkaan. Käsituen monipuolisen muotoilun ansiosta voit harjoitella niin pystysuorassa kuin ylävartalolla eteenpäin nojatenkin. Muista kuitenkin aina pitää selkä suorassa.

TÄRKEÄÄ! Varmista aina ennen harjoittelun aloittamista, että säätönappi on kunnolla kiristetty!

MITTARIKULMAN SÄÄTÖ

Kallista mittarikulma siten, että näyttöjen näkyvyys on pituuteesi ja harjoitusasentoosi nähden mahdollisimman hyvä.

TUKIJALKOJEN SÄÄTÖ

Mikäli laite ei ole vakaa, säädä tukijalkojen alla olevia säätöruuveja sopivasti.

KÄYTTÖ

Mikäli laite ei ole vakaa, säädä takajalan alla olevia säätöruuveja sopivasti.

HARJOITTELU

Harjoittelu kuntopyörällä on erinomaista aerobista liikuntaa, jonka perusideana on, että liikunta on sopivan kevyttä mutta pitkäkestoista. Aerobinen liikunta perustuu maksimaalisen hapenottokyvyn parantamiseen; se puolestaan lisää kestävyttä ja kuntoa. Elimistön kyky käyttää rasvaa polttoaineena on suoraan riippuvainen sen kyvystä kuljettaa happea. Aerobinen liikunta on ennen muuta miellyttävää. Hien pitää nousta pintaan, mutta liikunnan aikana ei saa hengästyä. Liikkuva pitäisi vähintään kolme kertaa 30 minuuttia viikossa. Näin saavutetaan peruskunto. Sen säilyminen edellyttää paria liikuntakertaa viikossa. Kun peruskunto on saavutettu, sen nostaminen on helppoa vain harjoituskertoja lisäämällä. Liikkeelle kannattaa lähteä rauhallisesti alhaisella poljentanopeudella ja pienellä vastuksella. Kova raskaus voi kuormittaa liikaa sydäntä ja verenkiertoelimistöä. Kunnon kohotessa vastusta ja poljentanopeutta voidaan vähitellen lisätä. Liikunnan tehoa voidaan arvioida sydämen sykkeen avulla.

SYKE

Olipa tavoitteesi harjoittelussa mikä hyvänsä, parhaaseen tulokseen pääset harjoittelemalla oikealla raskuustasolla.

SYKEMITTAUS KÄSIANTUREIDEN AVULLA

Käsisykemittaus hyödyntää käsituissa olevia antureita, jotka mittaavat sydämen lyönneistä syntyviä sähköisiä impulsseja. Mittaus käynnistyy koskettamalla molempia käsituissa olevia sensoreita yhtäaikaaisesti. Luotettava pulssimittaus edellyttää että iho on jatkuvassa kosketuksessa antureihin ja että sensoreita koskettava iho on hieman kostea. Liian kuiva ja liian kostea iho heikentävät käsipulssimittauksen toimivuutta. Pyri pitämään mittauksen aikana yläkehosi ja kämmenesi rentoina ja mahdollisimman paikallaan.

TELEMETRINEN SYKEMITTAUS

Luotettavimmaksi sykkeenmittausperiaatteeksi on todettu langaton sykemittaus, jossa rintakehälle kiinnitettävän lähettimen elektrodit siirtävät sykeimpulssit sydäimestä sähkömagneettisen kentän avulla mittarille.

TÄRKEÄÄ! Mikäli käytät sydämentahdistinta, varmista lääkäriltäsi, että voit käyttää langatonta sykemittausta.

Mikäli haluat mitata sykettä langattomasti harjoittelun aikana, kostuta huolellisesti lähetyvyössä olevat, ihoa vasten tulevat uralliset elektrodit vedellä tai syljellä. Mikäli käytät lähetintä paidan päällä, kostuta paita elektrodipintoja vastaavilta kohdilta. Kiinnitä lähetin joustavan vyön avulla sopivan tiukasti rintalihasten alapuolelle siten, että elektrodit pysyvät ihokontaktissa koko harjoituksen ajan. Lähetin ei kuitenkaan saa olla liian tiukalla, jottei esim. normaali hengitys vaikeudu. Sykelähetin siirtää sydämen sykelukeman automaattisesti sykevastaanottimelle n. 1 m: n etäisyyteen saakka. Mikäli elektrodipinnat eivät ole kosteat, sykelukema ei ilmesty mittarin näyttöön. Siksi jos elektrodit kuivuvat iholla, kostuta ne uudelleen. Muista myös, että elektrodien tulee antaa lämmetä iholla kehon lämpöiseksi, jotta mittaus toimisi luotettavasti. Jos langattomasti sykettä mittaavia laitteita on useampia vierekkäin, niiden välisen etäisyyden tulee olla vähintään 1,5 m. Vastaavasti jos käytössä on vain yksi vastaanotin, mutta useampi lähetin, saa mittauksen aikana lähetysetäisyydellä olla vain yksi henkilö, jolla on lähetin. Lähettimen toiminta lakkaa, kun otat sen pois yltäsi. Kosteus saattaa kuitenkin aktivoida lähettimen, jolloin patterin käyttöikä lyhenee. Siksi on tärkeätä kuivata lähetin huolellisesti käytön jälkeen. Huomioi harjoitusvaatetuksessasi että tietyt vaatteisiin käytetyt kuidut (esim. polyesteri, polyamidi) tuottavat staattista sähköä, mikä saattaa estää luotettavan sykemittauksen. Huomioi myös että matkapuhelin, tv ja muut sähkölaitteet muodostavat ympärilleen sähkömagneettisen kentän, joka aiheuttaa ongelmia sykemittauksessa. Paras raskuustason mittari on oman sydämen syketaajuus. Lähde liikkeelle selvittämällä ensin maksimisykearvosasi eli se lyöntimäärä, josta sykkeesi ei enää nouse, vaikka raskaus lisääntyisikin. Jos et tiedä omaa maksimisykearvoasi, voit käyttää seuraavaa kaavaa suuntaa antavana:

220 - IKÄ

Maksimisyke voi vaihdella yksilöllisesti runsaastikin. Maksimisyke putoaa keskimäärin

yhden sykkeen vuodessa. Mikäli kuulut johonkin riskiryhmään, sinun kannattaa ehdottomasti varmistaa maksimisykkeesi lääkärin avustuksella. Olemme määritelleet kolme eri sykealuetta, joista löydät tavoitteitasi parhaiten vastaavat harjoittelualueet.

ALOITTELIJAN TASO: 50 - 60 % maksimisykkeestä

Tämä taso on sopiva laihduttajille, toipilaille ja niille, jotka eivät ole harrastaneet liikuntaa aikaisemmin tai pitkään aikaan. Suositeltava harjoitusmäärä on kolme kertaa viikossa vähintään puoli tuntia kerrallaan.

KUNTOILIJAN TASO: 60 - 70 % maksimisykkeestä

Tämä taso sopii erinomaisesti kunnon kohottamiseen ja ylläpitämiseen. Harjoituksen tulisi kestää kerrallaan vähintään puoli tuntia ja harjoituskertoja tulisi olla vähintään kolme viikossa. Mikäli haluat kohottaa kuntoasi edelleen, sinun on lisättävä joko harjoituskertoja tai harjoitustehoa (ei kuitenkaan molempia yhtäaikaan).

AKTIIVIKUNTOILIJAN TASO: 70 - 80 % maksimisykkeestä

Harjoittelu tällä tasolla soveltuu vain erittäin hyväkuntoisille ja edellyttää jo pitkään jatkunutta kuntoilua.

MITTARI

PAINIKKEET

1. VALINTAPYÖRÄ

Valintapyörä-painikkeella on kaksi toimintoa:
A) Painikkeen pyörittäminen. Pyörittämällä painiketta myötäpäivään selaat valikkoja alas/oikealle ja lisäät arvoja tai vastusta. Pyörittämällä painiketta vastapäivään selaat valikkoja ylös/vasemmalle ja vähennät arvoja tai vastusta.

B) Painikkeen painallus (ENTER). Painamalla painiketta hyväksyt valintapyörällä tekemäsi valinnan.

2. START/STOP

Aloittaa ja lopettaa harjoituksen. Painamalla harjoituksen aikana kerran tätä painiketta aktivoit keskeytystilan maksimissaan 4 minuutin ajaksi. Voit jatkaa harjoitusta painamalla painiketta uudelleen.

3. RECOVERY

Laskee palautussykkeesi.

4. RESET

Lyhyt painallus: Palaat ohjelmien valintaan.
Pitkä painallus: Käynnistää mittarin uudelleen.

NÄYTÖT

Pienet ikkunat: Aika (mm:ss), nopeus (km/h tai ml/h), RPM (kierroksia minuutissa), matka (km tai ml), energiankulutus (kcal), syke (bpm) ja teho (W) näytetään.

Iso ikkuna: Aloittaa automaattisesti arvojen skannauksen kuuden sekunnin välein seuraavassa järjestyksessä: aika – nopeus – RPM – matka – energiankulutus – syke – teho. Skannauksen voi pysäyttää painamalla ENTER painiketta. Painamalla ENTER painiketta uudelleen voit vaihtaa ison ikkunan näytön seuraavaan.

OHJELMAT

1. MANUAL OHJELMA

Aseta aika ja/tai matka ja/tai energiankulutus ja/tai sykkeen ylärajatavoitteet VALINTAPYÖRÄLLÄ.

Aloita harjoitus painamalla START/STOP painiketta.

Jos olet asettanut tavoitteita, ne alkavat vähentyä kohti nollaa asettamastasi tavoitteesta. Harjoituksen aikana voit säätää vastusta valintapyörän avulla.

2. VALMISOHJELMAT

Kun selaat valmisohjelmia, näytetään niiden profiili kahden sekunnin jälkeen. Valitse haluamasi valmisohjelma painamalla VALINTAPYÖRÄÄ.

Aseta aika ja/tai matka ja/tai energiankulutus ja/tai sykkeen ylärajatavoitteet VALINTAPYÖRÄLLÄ.

Aloita harjoitus painamalla START/STOP painiketta.

Jos olet asettanut tavoitteita, ne alkavat vähentyä kohti nollaa asettamastasi ohjelman vastustasoa valintapyörän avulla.

3. USER OHJELMA

Viimeksi käyttämäsi ohjelmaprofiili näkyy näytöllä. Voit joko aloittaa harjoituksen suoraan omilla muistissa olevilla harjoitustavoitteillasi painamalla START/STOP painiketta tai voit muokata ohjelmaprofiilia. Ohjelmaprofiilin ensimmäinen (1/20) profiilipylväs vilkkuu.

Voit nyt muokata sitä. Muokkaa ja hyväksy. Seuraava palkki alkaa vilkkua. Kun olet muokannut viimeisenkin profiilipylvään, siirtyy muokkaus taas ensimmäiseen pylväeseen. Painamalla ENTER painiketta kahden sekunnin ajan lopetat muokkauksen. Nyt profiili on valmis muistissa olevilla harjoitusarvoillasi (aika, matka ja energiankulutus tavoitteet sekä sykkeen yläraja). Muokkaa tavoitteita, mikäli haluat. Aloita harjoitus painamalla START/STOP painiketta.

Jos olet asettanut tavoitteita, ne alkavat vähentyä kohti nollaa asettamastasi tavoitteesta. Harjoituksen aikana voit säätää ohjalman vastustasoa valintapyörän avulla.

4. HEART RATE CONTROL (H.R.C.)

Valitse ikäsi ja hyväksy. Valitse neljän syketasovaihtoehdon (55%, 75%, 90% tai TARGET) välillä. Valitsemalla TARGET voit asettaa oman tavoitesykkeesi.

Aloita harjoitus painamalla START/STOP painiketta. Jos olet asettanut tavoitteita, ne alkavat vähentyä kohti nollaa asettamastasi tavoitteesta.

Harjoituksen aikana laite säätää automaattisesti vastusta siten että tavoitesykkeesi saavutetaan ja ylläpidetään.

5. VAKIO WATT

Aseta tavoite teho watteina sekä aika ja/tai matka ja/tai energiankulutus ja/tai sykkeen ylärajasi VALINTAPYÖRÄLLÄ. Aloita harjoitus painamalla START/STOP painiketta

Jos olet asettanut tavoitteita, ne alkavat vähentyä kohti nollaa asettamastasi tavoitteesta. Harjoituksen aikana laite säätää automaattisesti vastusta riippuen poljentanopeudestasi siten että tavoitetehtosi saavutetaan ja ylläpidetään. Harjoituksen aikana voit säätää tavoitetehtoasi VALINTAPYÖRÄN avulla.

6. RECOVERY

Aloita palautussykkeen laskenta harjoituksen jälkeen painamalla RECOVERY painiketta. Palautussykkeen laskenta voidaan aloittaa vain jos sykemittaus on aktivoitu ja sykelukema näkyy näytöllä. Laskenta kestää 60 sekuntia. 60 sekunnin jälkeen näytöllä näkyy palautus indeksisi F1-F6 (F1 = paras tulos). Palataksesi päänäyttöön paina RECOVERY painiketta uudelleen.

KÄYTTÄJÄTIETOJEN ASETTAMINEN

Välittömästi käyttöliittymän uudelleenkäynnistämisen jälkeen voit valita käyttäjän. Valitse käyttäjä ja hyväksy. Henkilökohtaiset harjoitusarvosivat (aika, matka, energiankulutus, sykkeen yläraja ja ikä) pysyvät muistissa ja ovat oletuksena aina kun käyttäjä valitaan.

LISÄHUOMAUTUKSET

1. Nopeuden ja matkan yksiköiksi voit valita joko metriset tai englantilaiset yksiköt käyttämällä käyttöliittymän takakannessa olevaa KM/ML kytkintä. Virtajohto pitää kytkeä uudelleen, jotta valinta tulee voimaan.

2. Jollet harjoittele ja mitään näppäintä ei paineta neljään minuuttiin, käyttöliittymä siirtyy uni-tilaan, jolloin huoneen lämpötila näkyy näytöllä.

3. Harjoitus on mahdollista keskeyttää maksimissaan 4 minuutin ajaksi painamalla START/STOP painiketta. Painamalla painiketta uudelleen voit jatkaa harjoitusta 4 minuutin aikana.

4. Harjoitustavoitteiden (aika, matka, energiankulutus, sykkeen yläraja) asettaminen on mahdollista vain silloin kun laite on STOP-tilassa.

5. Tämä kuntolaite ei sovellu terapeuttikäyttöön.

6. Energiankulutus lasketaan perustuen keskimääräisiin arvoin ja se esitetään kilokaloreina. Voit muuttaa kalorit jouleiksi käyttämällä seuraavaa kaavaa: $1 \text{ Kcal} = 4.187 \text{ KJ}$.

7. Jos harjoitteleet sykemittausta (sykevyö tai käsisyke) käyttäen, voit asettaa sykkeellesi ylärajan. Kun raja ylittyy, laite antaa äänimerkin.

8. Valmisohjelmat on jaettu 20 profiilipylväeseen. Yhden profiilipylvään kesto riippuu koko harjoituksen kestosta. Mikäli tavoiteaikaa ei ole asetettu, on yhden pylvään kesto 100 m.

9. Jos olet asettanut useita tavoitteita, harjoitus päättyy, kun joku tavoitteista saavuttaa nollan. Voit käynnistää harjoituksen uudelleen painamalla START/STOP näppäintä.

10. Huomaa, että palautussykkeen laskennan tulos on suorassa suhteessa sykkeisiin mittauksen aloitus- ja lopetushetkillä.

11. H.R.C. ohjelmassa syketavoitteet (55%, 75% ja 90%) lasketaan prosentteina iän mukaan arvioidusta maksimisykkeestäsi (maksimisyke = 220 – ikä).

12. Automaattiset vastuksen säädöt H.R.C. ohjelmassa tapahtuvat ylöspäin 30 sekunnin ja alaspäin 15 sekunnin välein, mikäli tavoite sykettä ei ole saavutettu +/- 3 sykkeen tarkkuudella.

KULJETUS JA SÄILYTYS

Laitetta on helppo kuljettaa pitkin lattiaa kuljetuspyörien varassa työntäen. Siirrä aina laitetta seuraavan ohjeen mukaisesti, sillä väärä nosto- ja siirtotapa voi rasittaa selkää tai aiheuttaa vaaratilanteita.

Asetu laitteen etupuolelle, ota kiinni käsituesta ja kallista laitetta itseesi päin. Siirrä laite etutukijalan siirtopyörien varassa haluamaasi paikkaan ja laske laite varovasti alas.

TÄRKEÄÄ! Ota lattian suojaus huomioon siirtäessäsi laitetta.

Toimintahäiriöiden välttämiseksi säilytä laitetta mahdollisimman kuivassa ja tasalämpöisessä paikassa pölyltä suojattuna.

HUOLTO

Cardio-Control:n huoltotarve on vähäinen. Tarkista kuitenkin aika ajoin kaikkien kiinnitysruuvien ja - muttereiden kireys.

- Pyyhi laitteesi kaikki osat harjoituksen päätyttyä hikivedestä pehmeällä, imukykyisellä liinalla. Älä käytä liuottimia.
- Älä poista laitteen suojakoteloita paikaltaan.

KÄYTTÖHÄIRIÖT

Jatkuvasta laaduntarkkailusta huolimatta laitteessa saattaa esiintyä yksittäisistä komponenteista johtuvia yksilövikoja tai toimintahäiriöitä. Koko laitteen toimittaminen korjattavaksi on yleensä tarpeetonta, sillä vika on useimmiten korjattavissa ko. osan vaihdolla.

Mikäli laitteen toiminnassa ilmenee häiriöitä käytön aikana, ota välittömästi yhteys laitteen myyjään. Ilmoita laitteesi malli ja sarjanumero (sarjanumerotarran sijainnin näet tämän

käyttöohjeen etukannesta). Ilmoita lisäksi häiriön luonne, laitteen käyttöympäristö sekä ostopäivämäärä.

Mikäli tarvitset laitteeseesi varaosia, ota yhteys laitteen myyjään. Ilmoita aina laitteen malli, sarjanumero sekä tarvittavan osan varaosanumero. Varaosaluettelon löydät tämän oppaan lopusta. Laitteessa saa käyttää vain varaosalistassa mainittuja osia.

TEKNISET TIEDOT

Pituus..... 99 cm
Leveys 55 cm
Korkeus..... 134 cm
Paino..... 37 kg

Bremshey Sport Cardio-Control on suunniteltu täyttämään sähkömagneettista yhteensopivuutta koskevan EU:n EMC-direktiivin (89/336/ETY) vaatimukset. Tuotteet on varustettu sen mukaisesti CE-tarralla.

Bremshey Sport Cardio-Control täyttää CEN tarkkuus- ja turvanormien vaatimukset (Luokka EN-957).

Oikeudet muutoksiin pidätetään.

TÄRKEÄÄ! Ohjekirjan tietoja kuntolaitteen asennuksessa, käytössä tai huollossa on syytä noudattaa erittäin huolellisesti. Takuu ei korvaa vahinkoja, jotka ovat aiheutuneet tässä ohjekirjassa mainittujen asennus-, säätö- tai huolto-ohjeiden laiminlyönneistä. Mikäli laitteelle tehdään muita kuin Bremshey Sportin neuvomia ja nimenomaisesti hyväksymiä toimenpiteitä, laitetta ei saa käyttää!

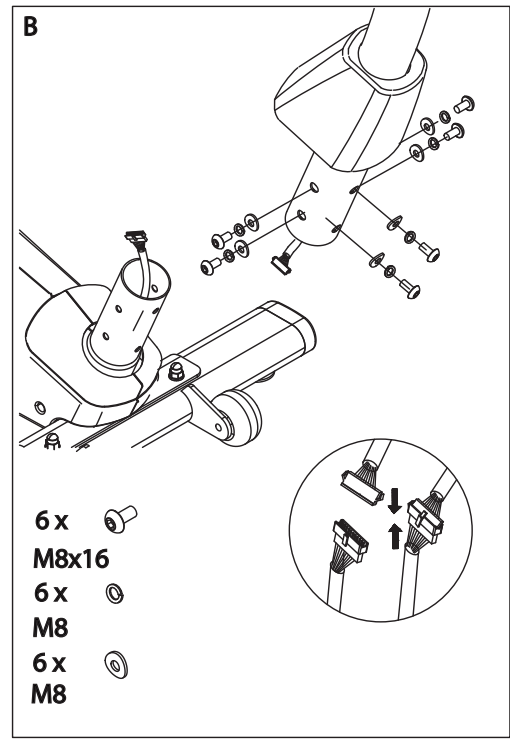
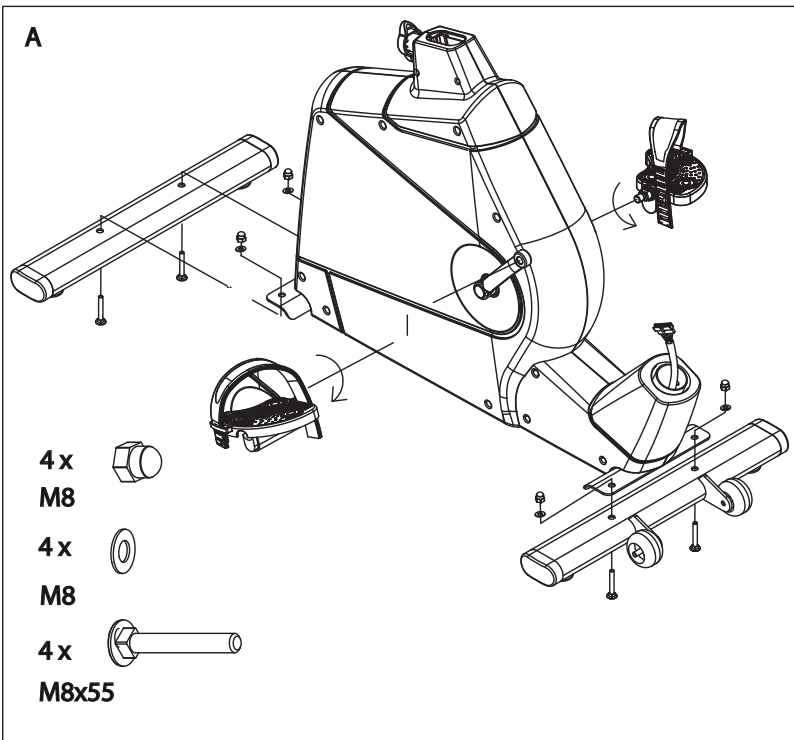
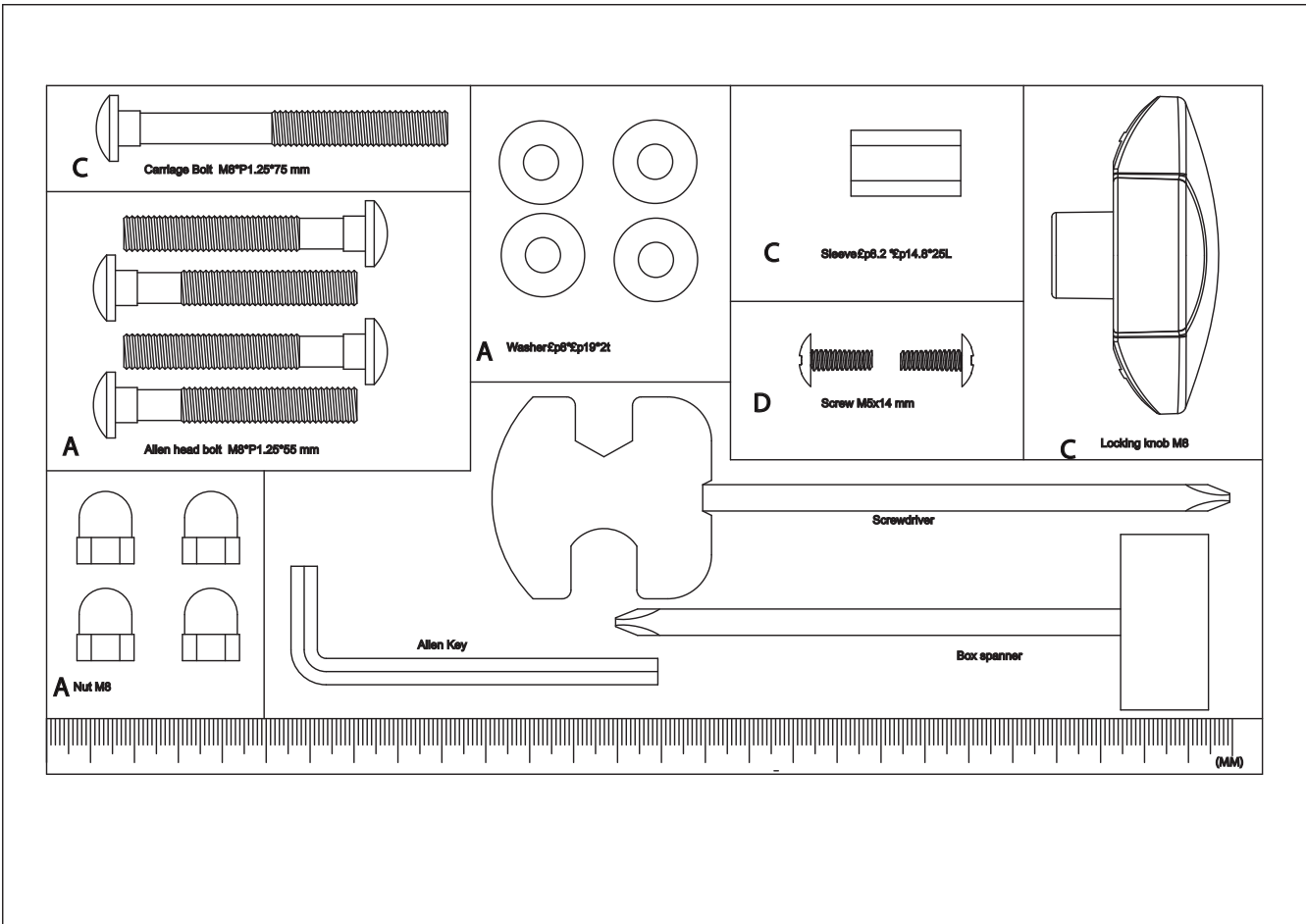
Toivotamme Sinulle miellyttäviä harjoitushetkiä Bremshey Sport-harjoituskumppanisi kanssa.

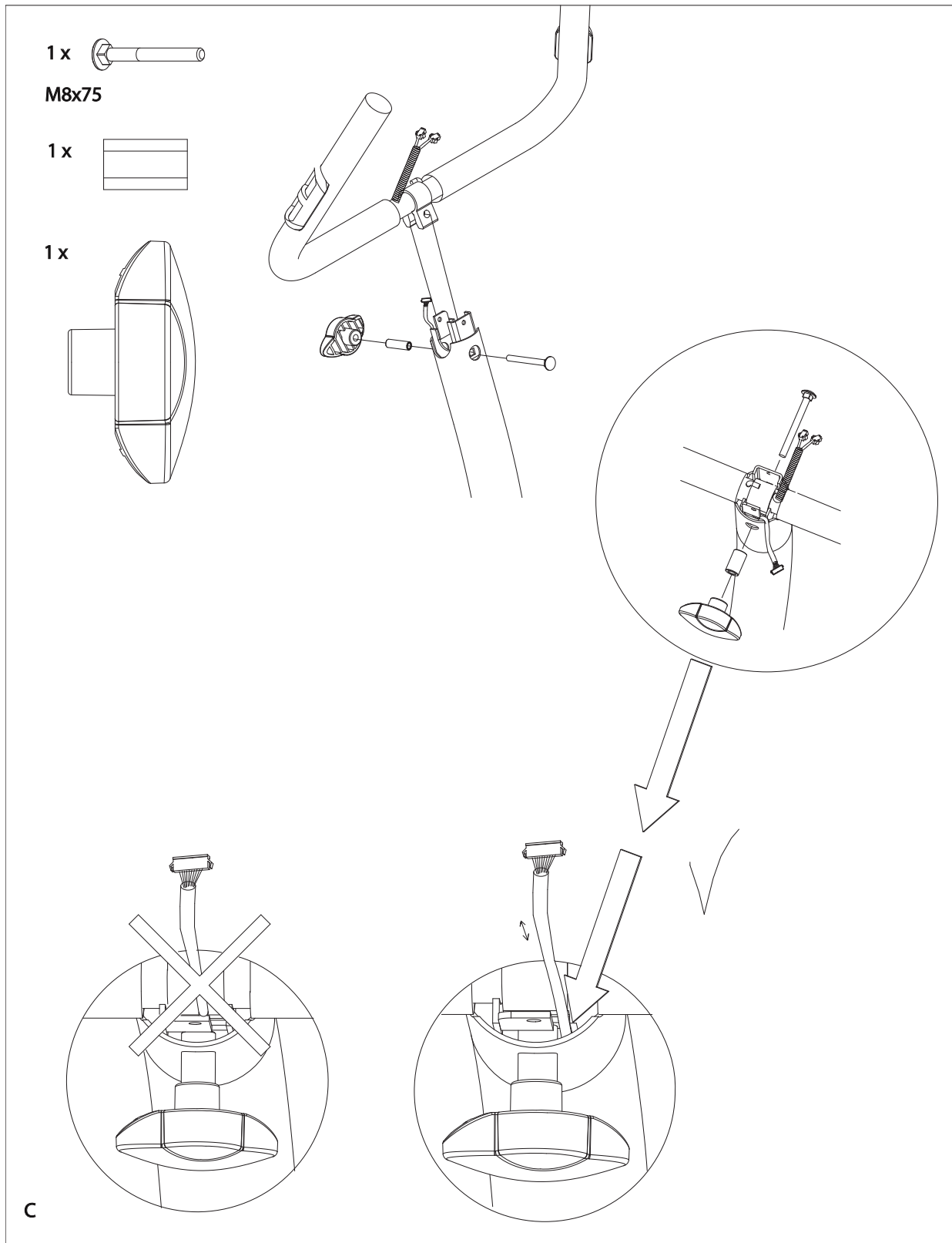


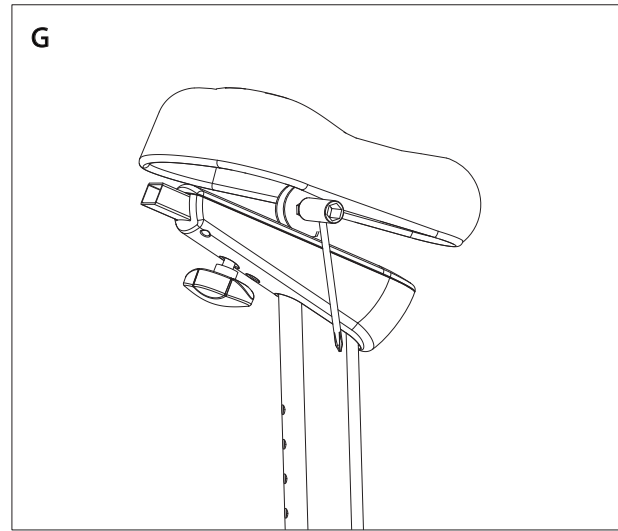
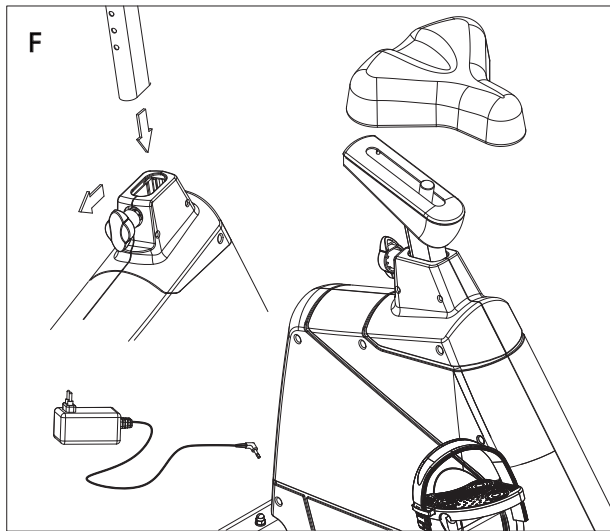
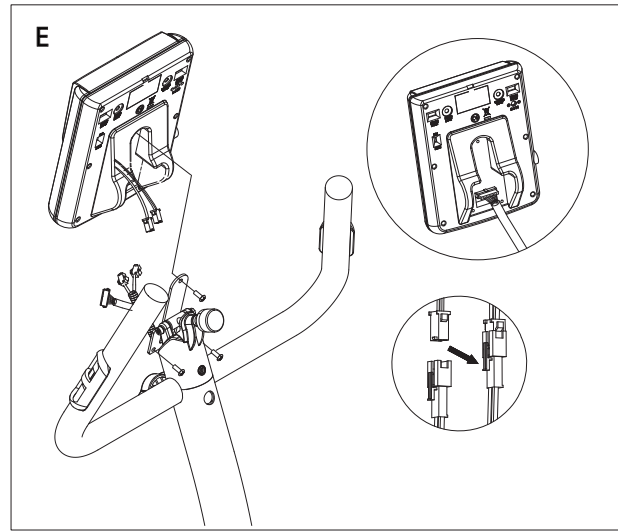
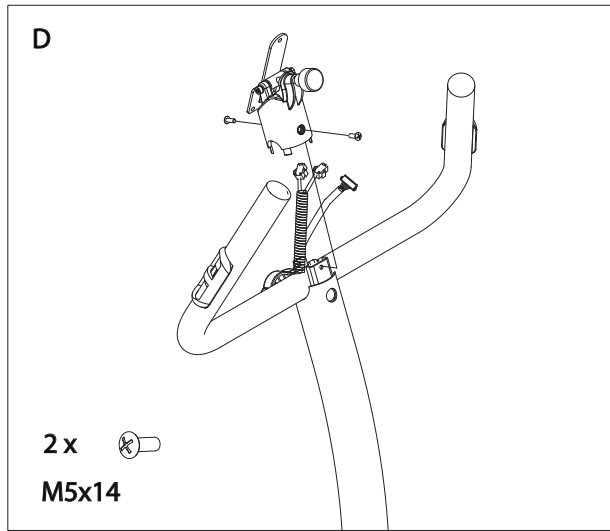


	1		1
			1
	1		1
	1		1
	1/1		1
	1		1

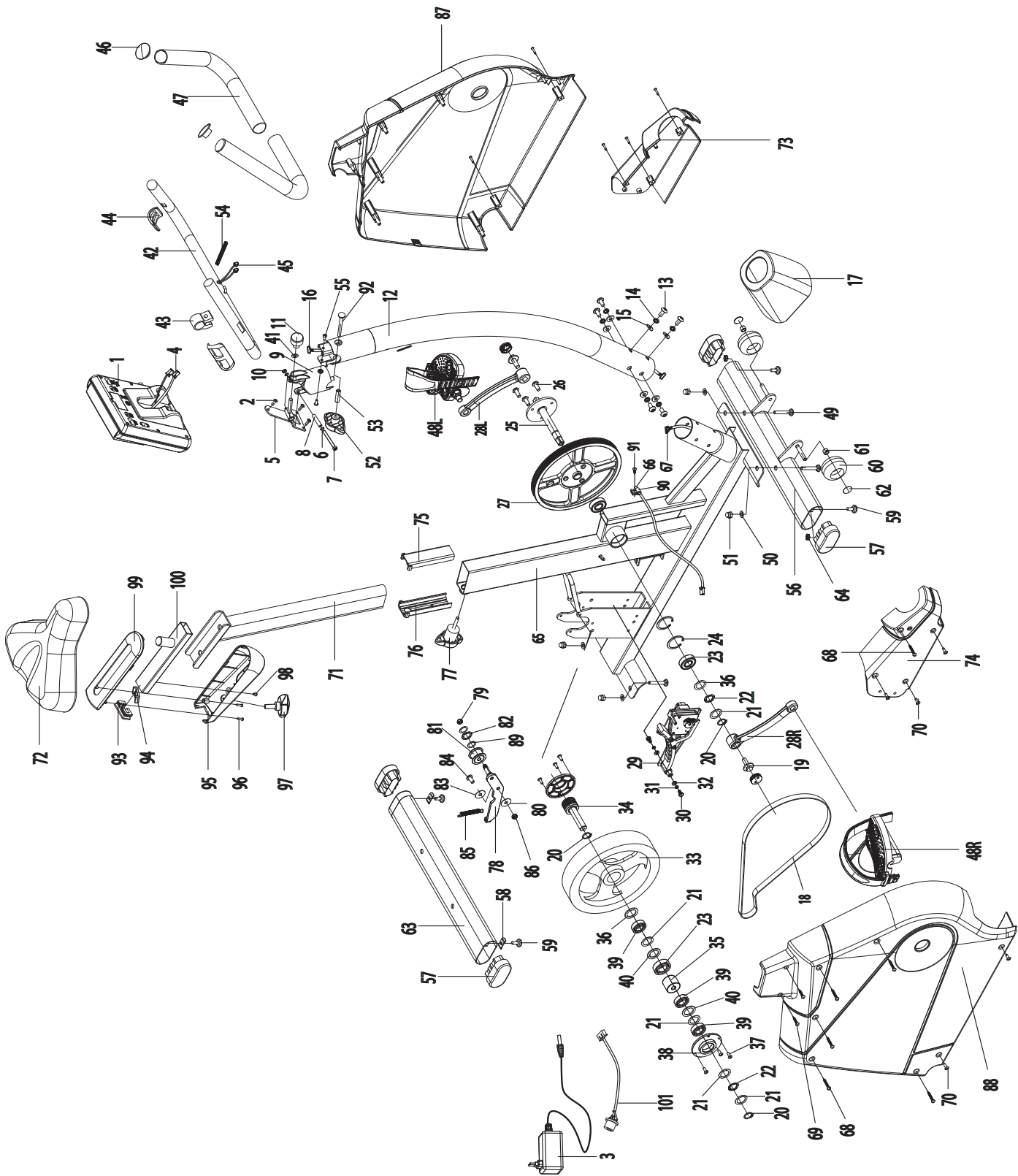








1	233 1082 20	Meter	1	58	-	Washer for adjusting	2
2	M5x10 DIN 7985	Screw	3	59	533 1099 20	Adjusting cushion (incl. 58)	4
3	403 0058 20EU	Adaptor, EU	1	60	533 1100 20	Transport wheel (incl. 61, 62)	2
	403 0058 20USA	Adaptor, USA		61	-	Sleeve	2
	403 0058 20GB	Adaptor, GB		62	-	Snap locking	2
	403 0058 20AUS	Adaptor, AUS		63	103 1084 20	Rear foot (incl. 2x57, 2x28, 2x59)	1
5	503 1032 20	Meter socket (incl. 6, 7, 8, 10, 11, 41)	1	64	-	Nut	2
6	M6 DIN 125	Flat washer	2	65	103 1086 20	Frame	1
7	M6x60 DIN 912	Screw	1	66	403 1181	Sensor switch + wire (incl. 90)	1
8	-	Sleeve	1	67	-	Cable wire, lower	1
9	103 1082 20	Meter socket seat	1	68	ø4,2x50 DIN 7981	Screw	6
10	M6 DIN 985	Nylon nut	1	69	M3x20 DIN 7985	Screw	2
11	-	Meter socket knob	1	70	ø4,2x19 DIN 7504	Screw	10
12	203 1075 20	Handlebar post	1	71	153 1047 20	Seat post	1
13	M8x16 ISO 7380	Screw	6	72	153 1037 20	Seat	1
14	M8 DIN 137A	Spring washer	6	73	173 1149 20	Front cover, L	1
15	M8 DIN 127	Semi-circle washer	6	74	173 1150 20	Front cover, R	1
16	403 1183	Meter cable, upper	1	75	693 1012	Seat post sleeve, front (incl. 76)	1
17	173 1151 20	Handlebar post cover	1	76	-	Seat post sleeve, rear	1
18	443 1015	Belt	1	77	373 1038 20	Seat adjusting knob	1
19	653 0102	Crank screw + plug	2	78	513 1014	Belt tightener set (incl. 1x79, 1x80, 1x81, 1x82, 1x83, 1x84, 1x85, 1x86, 1x89)	1
20	17x1,0 DIN 471	C-clip	3	79	M8 DIN 985	Nylon nut	1
21	ø18/25x0,3t DIN 988	Flat washer	5	80	M8 DIN 9021	Flat washer	1
22	-	Curve washer	2	81	-	Pulley	1
23	523 409 85	Bearing	3	82	-	Curve washer	1
24	40x1,5 DIN 472	Flexible ring	2	83	M8 DIN 125	Flat washer	1
25	343 1016	Drive pulley axle	1	84	M8x20 ISO 7380	Screw	1
26	653 0092	Screw	3	85	-	Spring	1
27	263 1011	Drive pulley	1	86	M8 DIN 934	Nut	1
28L	353 1014 20	Crank L	1	87	173 1147 20	Side cover, L	1
28L	353 1015 20	Crank R	1	88	173 1148 20	Side cover, R	1
29	403 1137	Servo motor set (including 67, 101)	1	89	ø10/13,5x1t DIN 7603	Washer	2
30	M6x16 ISO 7380	Screw	2	90	-	Sensor fix base	1
31	M6 DIN 127	Spring washer	2	91	M4x10 DIN 7985	Screw	1
32	M6 DIN 125	Flat washer	2	92*	-	Carriage bolt	1
33	303 1025	Flywheel complete (incl. 1x39, 1x35, 1x23)	1	93	533 9030 20	End plug of seat slider (incl. 94, 98, 100)	1
34	303 1027	Pulley and axle	1	94	-	Screw fixing base	1
35	-	One-way bearing set	1	95	173 1158 20	Seat slider cover, lower (incl. 96, 99)	1
36	ø18/25x1t DIN 988	Flat washer	2	96	ø3,5x13 DIN 7981	Screw	2
37	M5x10 DIN 7985	Screw	6	97	373 1057 20	Seat locking knob	1
38	523 1035	Bearing housing (incl. 1x39)	2	98	-	Screw	1
39	-	Bearing	3	99	-	Seat sliding tube cover	1
40	-	Washer	2	100	-	Seat horizontal adj. tube	1
41	ø8/16x2t DIN 125	Flat washer	1	101	-	Power wire	1
42	203 1076 20	Handlebar set (incl. 43, 44, 45, 46, 47, 54)	1	-	423 1161 20	Label set	1
43	-	Tightener	1	-	583 1048 20	Owner's manual	1
44	403 1185 20	Handpulse sensor (incl. 45, 54)	2	-	553 1016	Center assembly kit (incl. 1x20, 1x21, 1x22, 2x23, 2x24, 1x36)	1
45	-	Handpulse wire	1	-	553 1017	Flywheel assembly kit (incl. 2x20, 4x21, 1x22, 1x23, 1x35, 1x36, 1x39, 2x40)	1
46	533 9027 20	End plug	2	-	553 1019 20	Hardware kit (incl. *)	1
47	213 1019 20	Foam grip	2	-	*	Screwdriver	1
48	363 1011 20	Pedal pair + straps	1	-	*	Allen key	1
49*	M8x55 DIN 603	Allen head bolt	4	-	*	Box spanner	1
50*	M8 DIN 125	Flat washer	4				
51*	M8 DIN 986	Nut	4				
52*	533 1097 20	Locking knob (incl. 53, 92)	1				
53*	-	Sleeve	1				
54	-	Wire cover strip	1				
55*	M5x14 DIN 7985	Screw	2				
56	103 1083 20	Front foot (incl. 2x57, 2x59, 2x64, 2x60, 2x61, 2x62)	1				
57	533 1098 20	Foot end cap, pair	2				









BREMSEHEYU[®] SPORT

Austria

Accell Fitness Österreich
Am Messendorfgrund 30
A-8042 Graz
Österreich
Tel: +43 316 716412
Fax: +43 316 716435

Benelux

Accell Fitness Benelux
Koningsbeltweg 51
1329 AE ALMERE
The Netherlands
Tel: +31 36 5460050
Fax: + 31 36 5460055

Finland

Accell Fitness Scandinavia
Varusmestarintie 26
20361 TURKU
Finland
Tel: +358 2513 31
Fax: +358 2513 313

Germany

Accell Fitness Deutschland
P/a Koningsbeltweg 51
1329 AE ALMERE
The Netherlands
Tel: +31 36 5460050
Fax: + 31 36 5460055

United Kingdom

Accell Fitness United Kingdom
Boland House
Nottingham South Industrial Estate
Ruddington Lane
Wilford
Nottingham NG11 7EP
United Kingdom
Tel: +44 115 9822844
Fax: +44 115 9817784

Sweden

Accell Fitness Scandinavia
Varusmestarintie 26
20361 TURKU
Finland
Tel: +358 2513 31
Fax: +358 2513 313

Switzerland

Accell Fitness Schweiz
Altgraben 31
CH-4624 Härlungen SD
Schweiz
Tel: +41 (0)62-3877979
Fax: +41 (0)62-3877970

USA / Canada

Accell Fitness North America Inc.
130 Hayward Ave, Suite 2
N2C 2E4
Kitchener, ON Canada
Tel. 1-888-388-6887
Fax: 1-519-576-2521

www.accellfitness.com

583 1048 20